

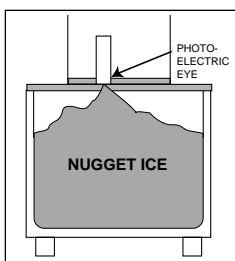
SCOTSMAN®

Modular Air, Water, Remote Cooled Nugget Ice Machine



NUGGET ICE

Versatile, inexpensive to produce, used in carbonated beverages and salad bars.



PHOTOELECTRIC EYE

For maximum bin storage, photoelectric eye turns machine off when ice level reaches chute.



TOP BEARING

Extra large top bearing attached to auger and breaker reduces bearing wear.

ITEM NO.

NME1250

The NME1250 represents Scotsman's commitment to R-404A Refrigerant (DuPont SUVA® HP62) as the sensible permanent solution to the refrigerant issue.

LONG SERVICE LIFE

- Evaporator, auger and breaker are all fabricated from durable stainless steel.
- Innovative "Interrupted Flight" auger design minimizes bearing loads.
- New gearmotor design includes heavy duty ball bearings.
- Large spherical top roller bearing self aligns, reducing bearing wear.

ENHANCED RELIABILITY

- Advanced electronics eliminate mechanical switches and sensors.
- Electronic water level control prevents problems associated with water pressure fluctuations.
- Continuous length evaporator refrigerant tubing eliminates potential refrigerant leaks.

IMPROVED EFFICIENCY

- Photoelectric eye bin control allows maximum storage in bin.
- Continuous ice making, no hot gas cycle, no water dump.
- Lower KWH usage per 100 lbs. of ice than cubers.

LOWER SERVICE COSTS

- Most major components are accessible from the machine front. Less repair time equals less repair costs.
- Installation made easy by placing all utility connections on back panel, accepting standard plumbing fittings.
- System design minimizes cost of component failure.

VERSATILITY

- Fits a variety of Scotsman Ice Storage Bins – the modular design allows the user to choose the right bin for their needs.

REMOTE CONDENSER

Heat removed during icemaking is carried to the remote condenser directly by refrigerant. There the heat is transferred to the outdoor air, and the refrigerant returns to the icemaker.

- Choose either single or double unit condenser.
- Fan motor operates from icemaker electrical supply.
- Choice of 25 foot or 40 foot precharged refrigerant line with easy to install quick connect couplings.

ENVIRONMENTALLY RESPONSIBLE

- HFC R-404A (HP-62) refrigerant.
- Non-CFC foam insulation.

WARRANTY PROTECTION

See Dealer for details of Limited Warranty.

- 2 years parts and labor on all components.
- 5 years parts on compressor.
- Directory of Certified Dealer Service.

C.S.I. File No. 11400

This product qualifies for the following listings:



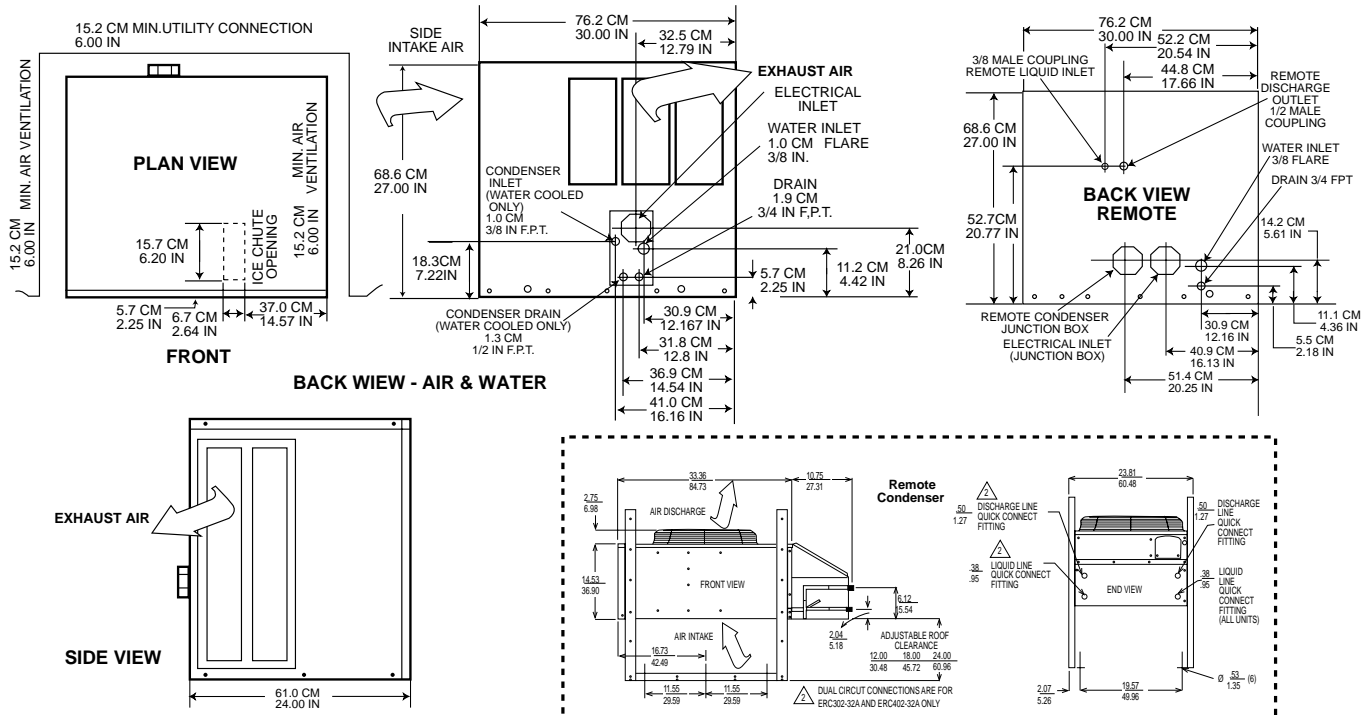
SCOTSMAN®
Ice Systems The World Relies On.™

Consultant/Contractor Approval

775 CORPORATE WOODS PARKWAY • VERNON HILLS, IL 60061 • (847) 215-4550

FAX (847) 913-9844

E-mail: customer.service@scotsman-ice.com



INSTALLATION NOTE: Allow 6" minimum space at back for ventilation and utility connections.

Model	Cond. Unit	Ice Prod. Lbs./24 hrs.	70° Air 90° Water 70°	Finish	Ship Wt. lbs./kg.	Basic Electrical Volts/Hz/Phase	Comp HP	No. of Wires	Min. Circuit Ampacity	Max. Fuse Size or HACR Circuit Breaker	Power KWH/100 lbs.	90°/70° 70° F/50° F	Water Usage* Gallons/100 lbs.	90°/70° 70° F/50° F	90°/70° 70° F/50° F
NME1250AE-32A	Air	1220	945	EG	270/122	208-230/60/1	1 3/4	2	15.0	20	3.7	2.8	12	12	—
NME1250WE-32A	Water	1345	1110	EG	255/116	208-230/60/1	1 3/4	2	14.3	20	3.2	2.6	12	12	92.5 46.0
NME1250RE-32A	Remote	1110	1005	EG	270/122	208-230/60/1	1 3/4	2	17.3	25	3.6	2.8	12	12	—

REMOTE CONDENSERS - Dimensions: W x D x H Unit: ERC201-32A - 45" x 22.12" x 29.25" ERC402-32A - 55" x 22.12" x 29.25" Shipping Carton: ERC201-32A - 46.88" x 21.75" x 22.50" ERC402-32A - 56.88" x 21.75" x 22.50" use with

Model	Cond. Unit	Finish	Ship Wt. lbs./kg.	Basic Electrical Volts/Hz/Phase	Comp HP	No. of Wires	Min. Circuit Ampacity	Max. Fuse Size or HACR Circuit Breaker	Power KWH/100 lbs.	90°/70° 70° F/50° F	Water Usage* Gallons/100 lbs.	90°/70° 70° F/50° F	90°/70° 70° F/50° F
ERC201-32A	Air	Galv.	95/43	208-230/60/1	—	2	2.6†	15	—	—	—	—	1-NME1250R
ERC402-32A	Air	Galv.	130/59	208-230/60/1	—	2	2.6†	15	—	—	—	—	1 or 2 NME1250R

† Included with minimum circuit ampacity for icemaker. Use this value to determine wire size between icemaker and fan motor.
Fan relay kit KCMR230 required when connecting two NME1250R's to one ERC402-32A
EG = enamel grey leathergrain embossed steel with high gloss baked enamel finish.

TYPICAL ICE MAKING CAPACITY PER 24 HOURS				
NME1250A AIR-COOLED WATER TEMPERATURE			NME1250W WATER-COOLED WATER TEMPERATURE	
AIR TEMPERATURE	50° 10°	70° 21°	90° 32°	
70° 21°	1220 553	1065 483	945 429	lbs. kg.
90° 32°	1070 485	945 429	850 386	lbs. kg.
100° 38°	1010 458	875 397	785 356	lbs. kg.

Capacities represent typical production, variances of ±5% are normal.

	AMBIENT TEMPERATURE			ICE PRODUCTION
	COND. AIR	INDOOR	WATER	
LOW TEMPERATURE	F° 0 C° -17.8	70 21.1	55 12.8	1110 LBS. 503 KG.
NORMAL TEMPERATURE	F° 90 C° 32.2	90 32.2	70 21.1	1005 LBS. 456 KG.
HIGH TEMPERATURE	F° 110 C° 49.3	90 32.2	80 26.7	865 LBS. 392 KG.

IMPORTANT OPERATING REQUIREMENTS:
Machine requires voltage indicated on rating name plate. Failures caused by improper voltage are not considered factory defects.

Scotsman's products are not designed for outdoor installations nor for installation where air temperatures fall below 50° F, or exceed 100° F; nor where water temperatures fall below 40° F, or exceed 100° F. Extended periods of operation at temperatures exceeding these limitations constitutes misuse under the terms of Scotsman Manufacturer's Limited Warranty, resulting in a loss of warranty coverage.

- OPTIONAL PRE-CHARGED REFRIGERANT TUBE KITS:**
RTE25: 25 foot pre-charged tubing with connectors — R-404A (HP62).
RTE40: 40 foot pre-charged tubing with connectors — R-404A (HP62).
- OPTIONAL STORAGE BINS:** HTB555, BH550, BH800 with KBT15B or KBT23 bin top, BH900 with KBT22 bin top, B90 with KBT18C bin top, or BH1370.
- OPTIONAL STAINLESS STEEL PANEL KIT:** SPKCMD-1: Contains top, front, two end and service panels. Not factory installed.

NME SERIES NUGGET ICEMAKER
Model _____ nugget icemaker manufactured by Scotsman Ice Systems. Production capacity to be _____ at 90° F air temperature and 70° F water temperature. Icemaker to have a _____ (air, water, remote air)-cooled condenser. To have factory installed photo-electric eye bin level control to automatically start and stop icemaker. Evaporator and auger to be constructed of stainless steel. Exterior cabinet to be _____ (baked enamel grey leathergrain or 304 series stainless steel) finish. Icemaker to be UL, CSA, NSF and USDA listed.



Continuing improvements to our products may necessitate changes without notice. Scotsman ice systems include a full line of ice shapes, modular and self-storing cubers, flakers, drink dispensers, bins and accessories.