



ECC Series Remote Condensing Unit

Air Cooled Remote Condensing Unit



ECC Series Condensing Unit -
Dedicated condensing unit for Prodigy Plus® Eclipse

Features

- Energy efficient components save money on utility costs.
- Better corrosion resistance increases life of unit.
- One piece design makes installation and service easier.
- Maximizes ice production by dissipating heat away from ice machine.
- Minimizes air conditioning load.
- Allows for quiet operation in dining and working environments.
- Able to operate in wide outdoor temperature range from -20°F to 120°F.



Modular Ice Head Options

Modular Ice Head Options	Condenser Unit	24 hr production (lb/kg)	
		90° Air/70° Water	70° Air/50° Water
EH222SL-1	ECC0800-3A	700/318	850/386
	ECC0800-6A	700/318	850/386
	ECC1410-32A	865/393	1030/468
	ECC1410-3A	810/319	1030/468
EH330SL-1	ECC1200-32A	1200/545	1330/604
EH430SL-1	ECC1410-32A	1200/545	1425/647
	ECC1410-3A	1200/545	1425/647
	ECC1800-3A	1600/727	1775/806

ECC Series Remote Condensing Unit



Line Sets

Choice of pre-charged, insulated, refrigerant line sets with easy to install quick-connect couplings. Available in 20ft, 35ft, 50ft and 75ft lines. Refrigerant and brazing required. Please consult ice machine users manual for installation guidelines.



Certification



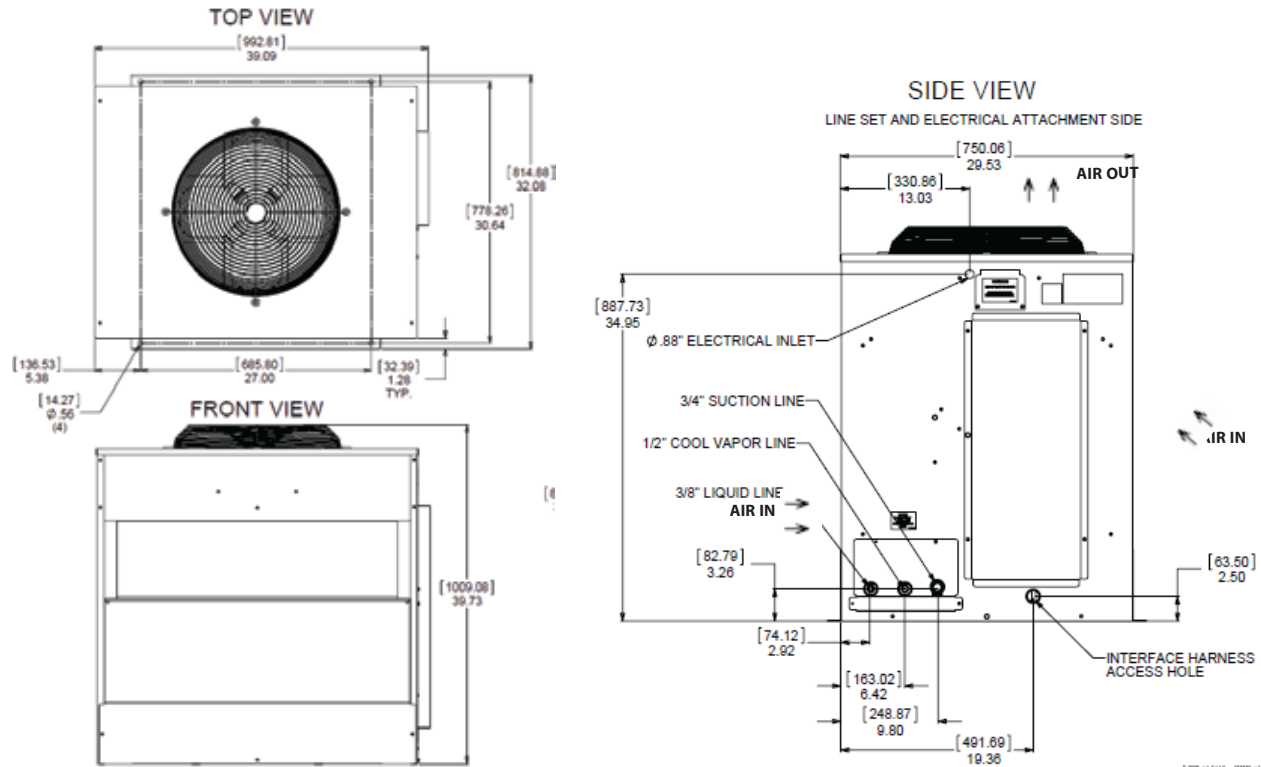
Warranty

- 3 years parts and labor on all components.
- Warranty valid in North, South & Central America for commercial installations.
- Contact factory for warranty in other regions.
- Residential Applications: 1 year parts and labor



ECC Series Remote Condensing Unit

Air Cooled Remote Condensing Unit



Operating Requirements: Electrical Voltage Min. -10% Max. +10%

ECC Series Remote Condensing Unit



Accessories

- 3BRTE20-EH - 20ft insulated line set.Refrigerant and brazing required.
- 3BRTE35-EH - 35ft insulated line set.Refrigerant and brazing required.
- 3BRTE50-EH - 50ft insulated line set.Refrigerant and brazing required.
- 3BRTE75-EH - 75ft insulated line set.Refrigerant and brazing required.
- KSLT075 - Suction line trap for locating ice maker more than 20ft below condenser unit.



Specifications

Model Number	Overall length (in)	Mounting Hole Spacing (in)	Depth (in)	Height (in)	Basic Electrical Circuits	Max. Fuse Size or HACR Circuit Breaker (amps)	Circuit Wires	Min. Circuit Ampacity	Contains Headmaster?	Shipping Weight lb/kg	Shipping Carton L x W x H
ECC0800-3	39.09	27.00	32.06	39.75	208-230/60/3	15	3	10.6	Yes	319/145	42" x 33.5" x 45.5"
ECC0800-6	39.09	27.00	32.06	39.75	230/50/1	20	2	16.8	Yes	319/145	42" x 33.5" x 45.5"
ECC1200-32	39.09	27.00	32.06	39.75	208-230/60/1	30	2	17.7	Yes	310	41.63" x 33.88" x 45.13"
ECC1410-32	39.09	27.00	32.06	39.75	208-230/60/1	30	2	15.8	Yes	332/151	42" x 33.5" x 45.5"
ECC1410-3	39.09	27.00	32.06	39.75	208-230/60/3	20	3	11.6	Yes	332/151	42" x 33.5" x 45.5"
ECC1800-3	39.09	27.00	32.06	39.75	208-230/60/3	30	3	19	Yes	310	41.63" x 33.88" x 45.13"

Note: These units are designed to be controlled by the ice machines they are connected to.