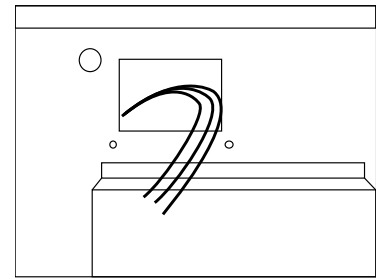
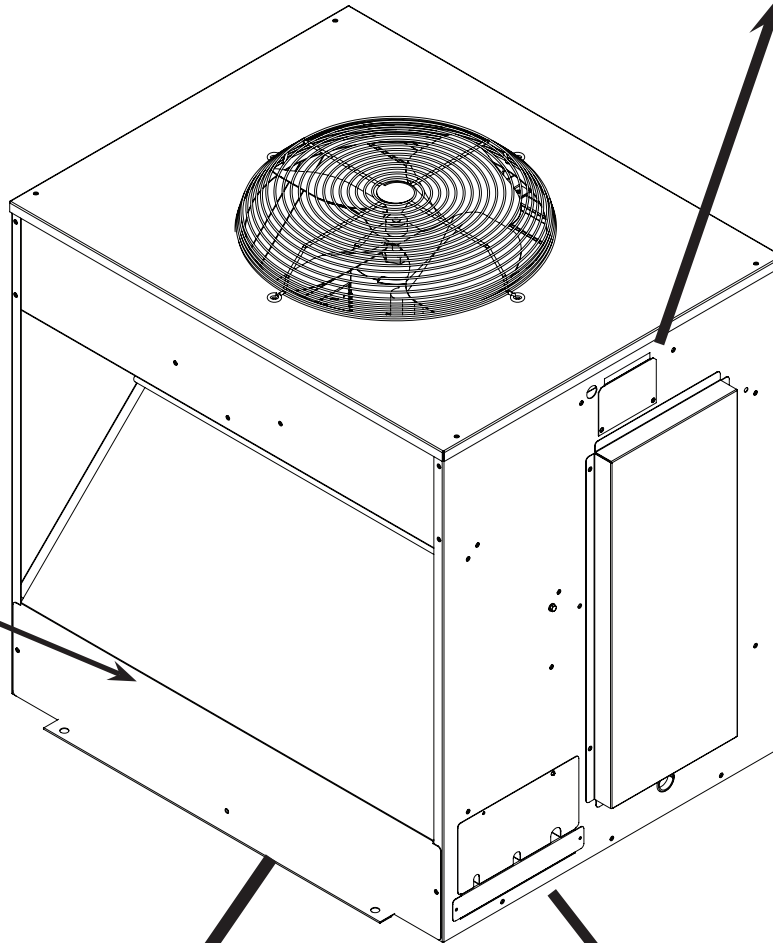


Installation Overview of Condensing Unit

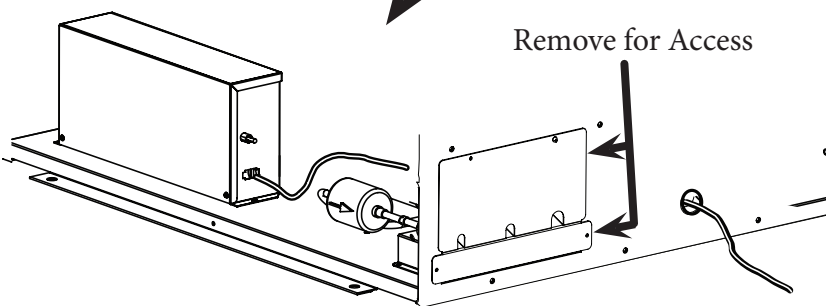
Refer to Installation Manual, Connect Refrigeration for tubing evacuation and brazing instructions. Charge is in condensing unit.



Power Supply Connections

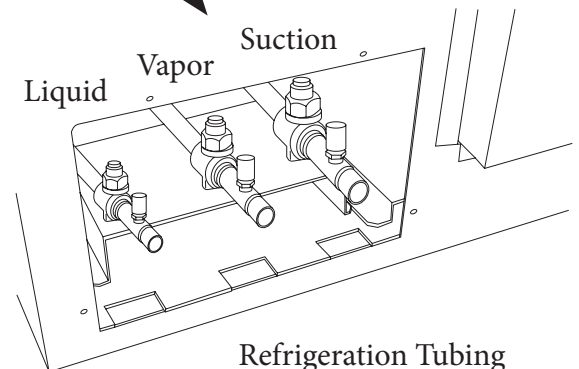


Service Panel



Remove for Access

Communication Cable Routing and Connection



Refrigeration Tubing Connections