

BIN TOP INSTALLATION INSTRUCTIONS

KBT22:

- Any 30" wide x 24" deep modular cuber.
- Any 30" wide x 24" deep modular nugget or flaked ice machine.

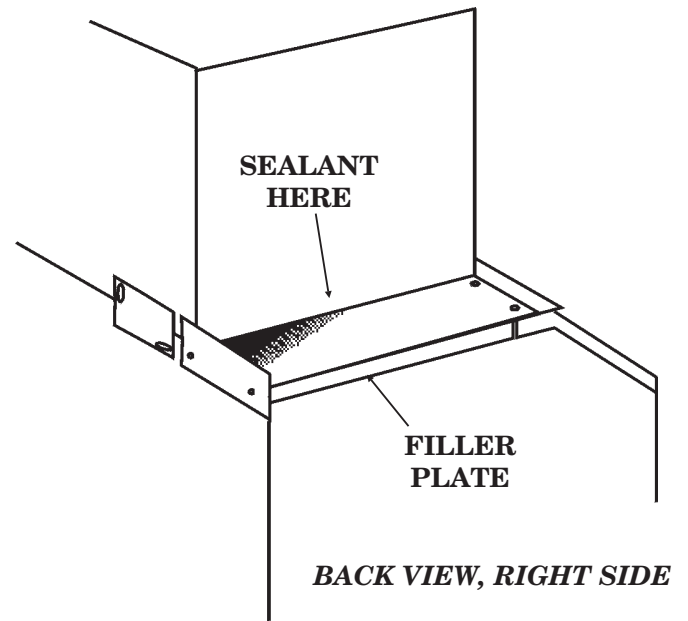
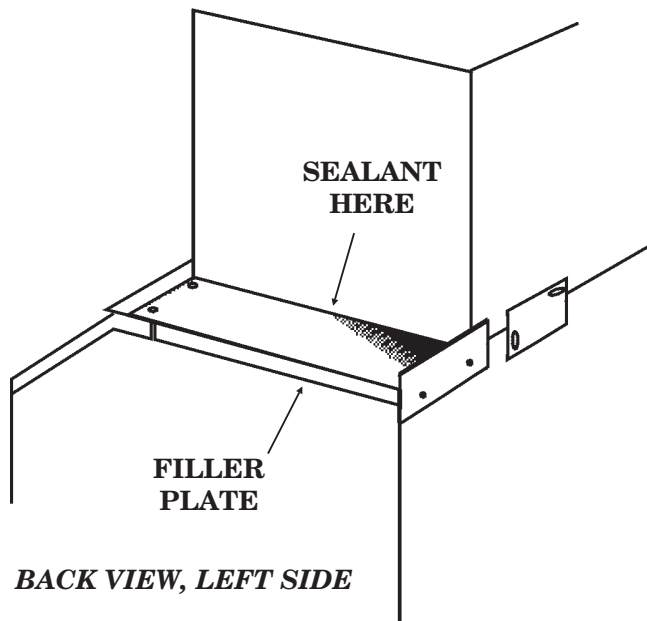
KBT24:

- 21" wide modular nugget or flaked ice machine

This kit consists of 2 filler plates, 2 bolts, 2 washers and a tube of food grade silastic sealant. The two filler plates cover up the space on top of the bin when an ice machine is centered on it.

To Install:

1. Mount the ice machine on the bin top, centered over the bin.
2. Remove the bin baffle from the ice storage bin.
3. Slide each filler plate onto the top of the bin, one on the right and one on the left. Note: There is a right and a left filler plate; the insulation on the bottom determines position, place the filler plates on the bin so that the insulation is closest to the ice machine.
4. Secure the bin tops to the bin at the back, use 1 bolt from the kit for each plate.
5. Place a bead of silastic sealant (from the kit) onto the top edge of each filler plate next to the ice machine.



6. Wipe off excess silastic.
7. Replace the bin baffle, the baffle will secure the front of each filler plate to the bin.
8. Attach the machine to the bin using the machine brackets and bolts from the hardware shipped with the ice machine.
9. Proceed with the balance of the installation per the instructions in the service manual shipped with the ice machine.

17-2073-01 Rev B