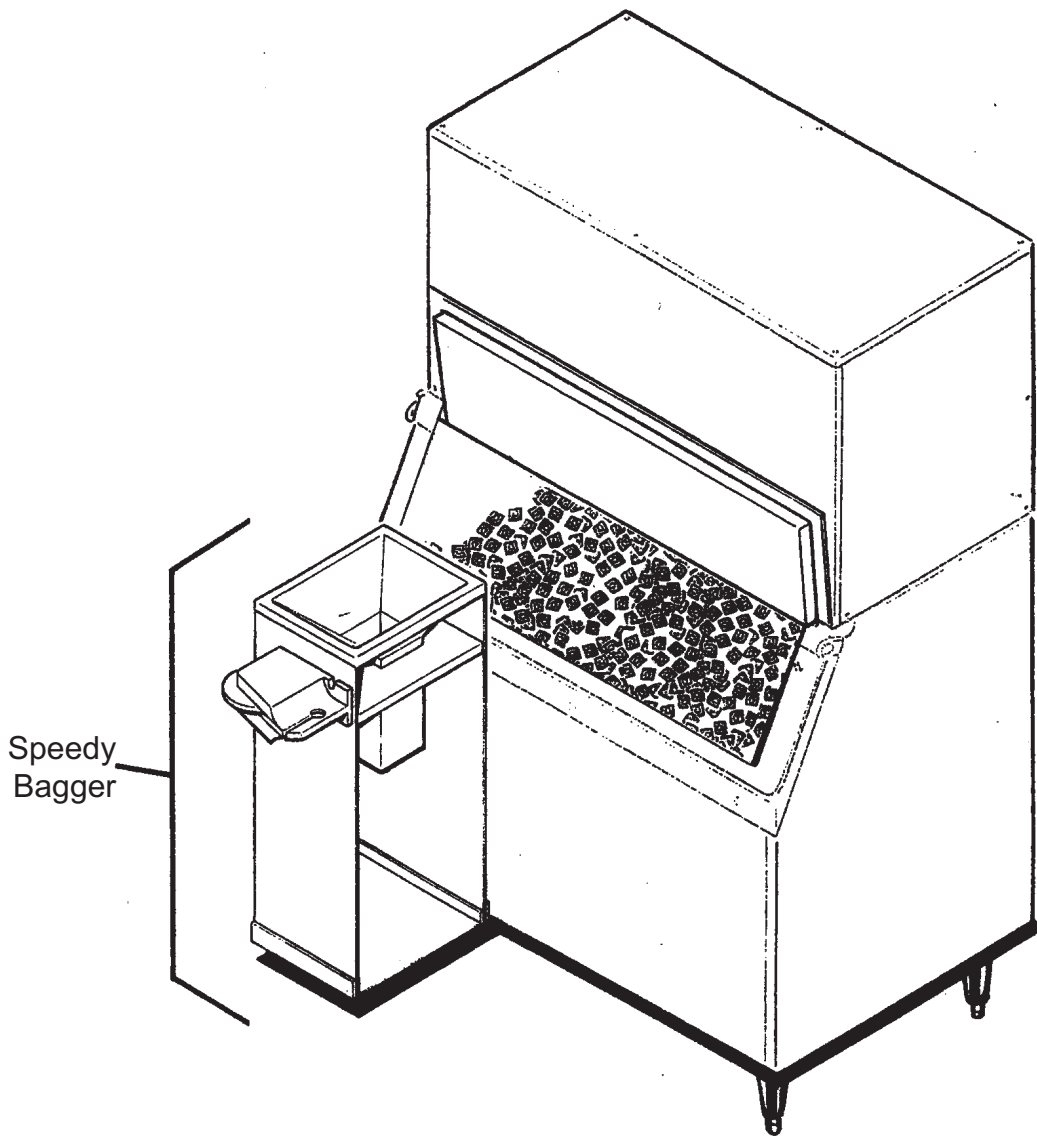


# ***Scotsman***<sup>®</sup>

## **Assembly and User's Instructions**

**for**

### **Speedy Bagger BGS10**



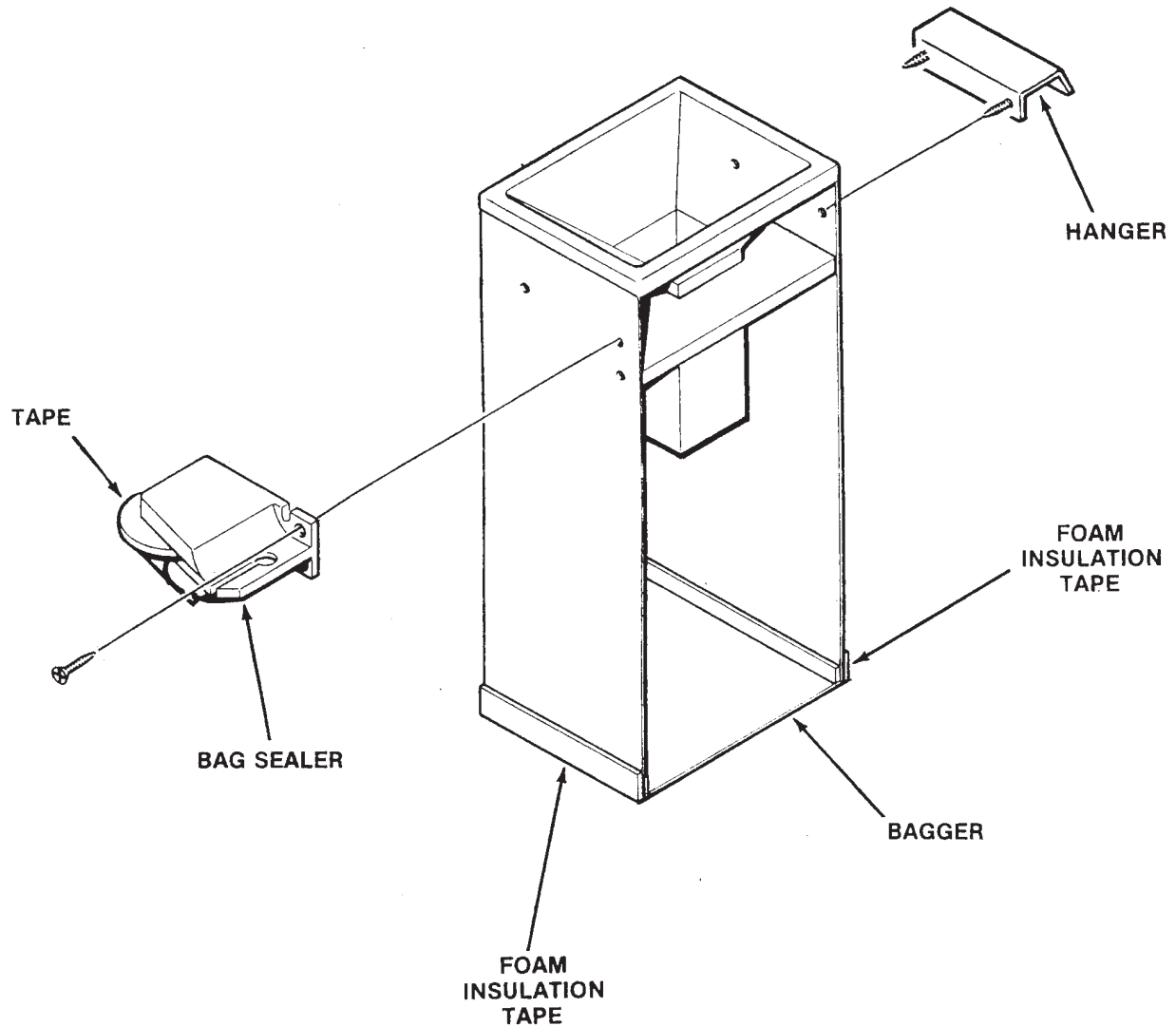
17-1830-01

# How To Assemble

1. For right handed users, assemble as illustrated. For left handed users switch the bag sealer and the hanger so the bagger would hang on the other end of the bin.

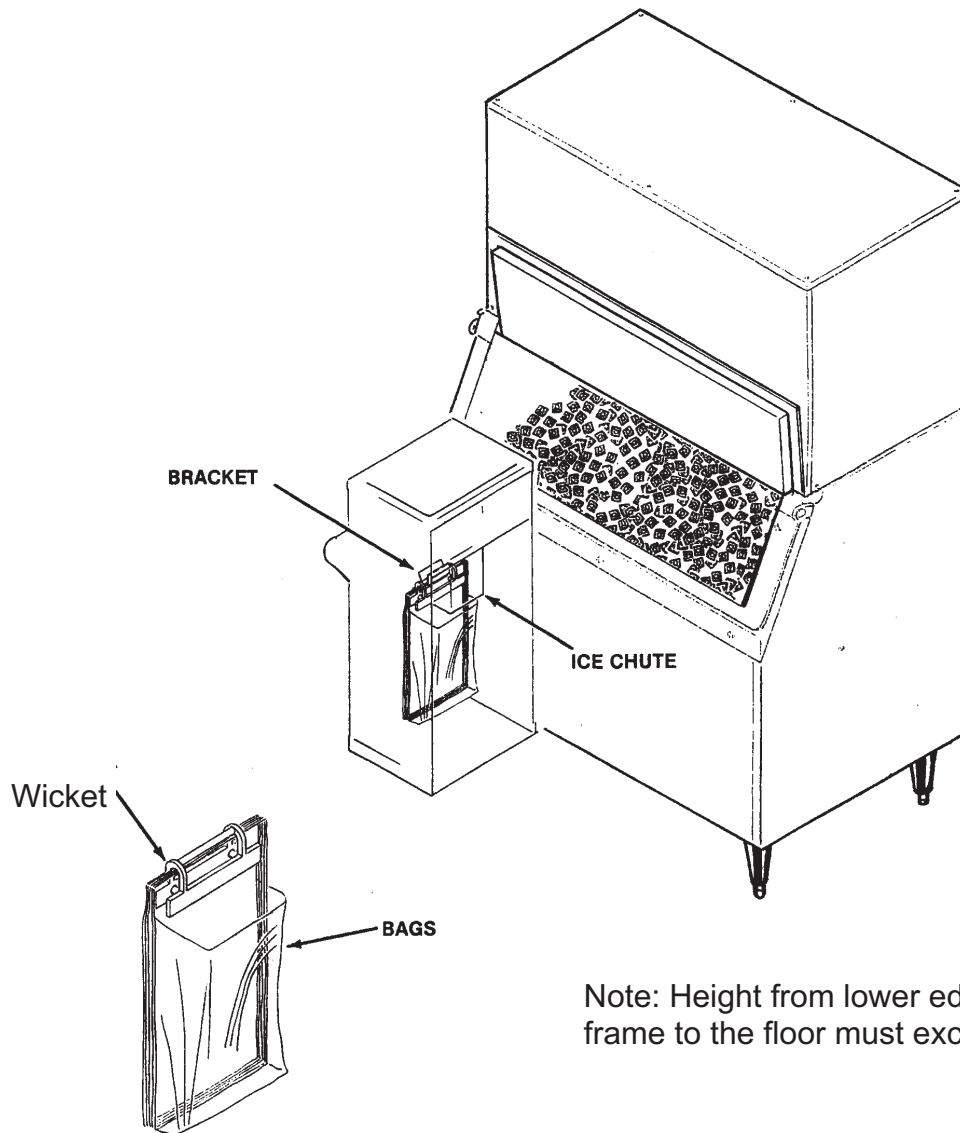
2. Install the correct tape into the bag sealer. Thread tape across sealer face. See illustration.

3. Install insulation tape onto bagger as illustrated.



# How To Use Speedy Bagger

1. Hang bagger in correct position for user.
2. Hang bags and wicket onto bracket located behind the ice chute.
3. Pull open one bag under the ice chute.
4. Fill bag with ice.



# To Seal the Bag

1. Remove bag with ice from bagger.
2. Twist bag shut.
3. Using two hands, insert bag into tape and sealer as illustrated. Sealer will automatically wrap tape around bag neck and cut tape.
4. Remove sealed bag down and out of sealer.

