

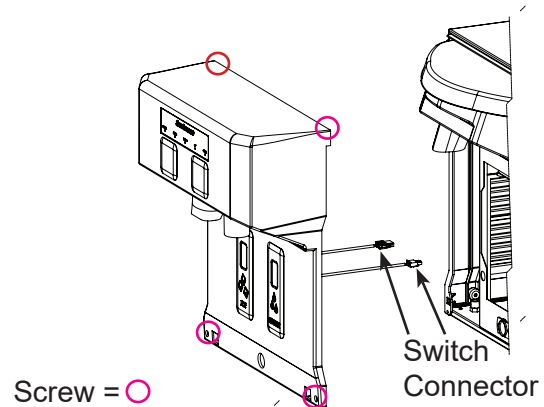
# Scotsman<sup>®</sup>

## Ice Systems

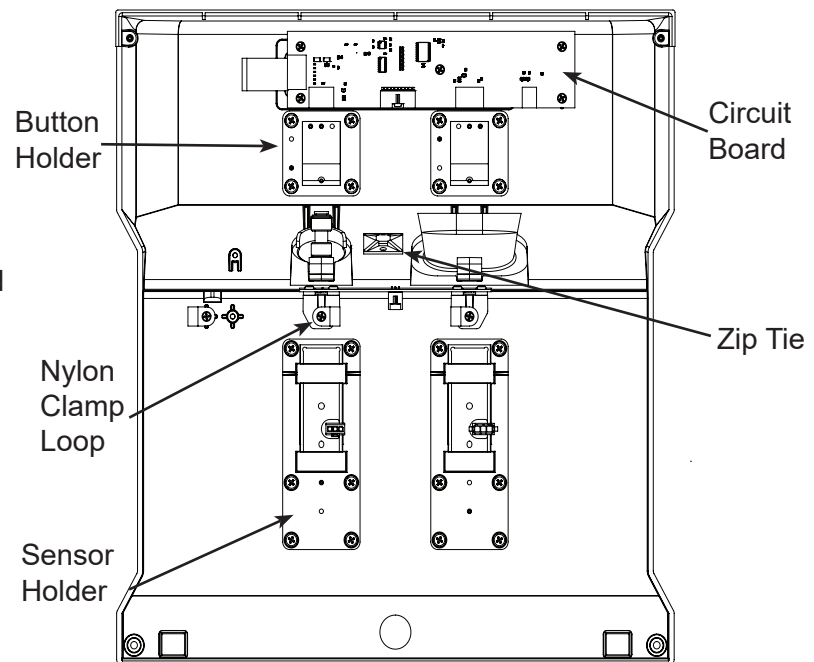
## HID207 Button Activated Dispensing Conversion Kit

1. Pull outward on drip tray to release from unit.
2. Remove top panel using 2 thumbscrews on back of the unit.
3. Remove screws at top and bottom of Front Panel.
4. Pull Front Panel forward, unplug sensor connectors. Disconnect the water hose by pushing down on the hose union fitting and pull the hose out.
5. Lift Front Panel off the unit.
6. To remove IR Sensors:
  - i. Remove screws securing the Sensor Holders and remove the Sensors.
  - ii. Unscrew the nylon clamp loop.
  - iii. Cut the zip tie holding wires in place.
  - iv. Release plug from the cord extension clip.
  - v. Remove the Sensors and wires, then store where convenient.
  - vi. Insert new zip tie in place of the one that was cut.
  - vii. Take the new IR Covers and line up pegs with Sensor Holders and snap in to place.
7. To remove Button Cover:
  - i. Remove the blank button face from the Button Holder. Set blank button face aside.
  - ii. Grab the new button, remove adhesive. Place it on Button Holder, with the legs facing inward to the machine.
  - iii. Take the Button and place it facing out, from inside the front panel. Take the Outside Button Cover and line up the 4 legs with the 4 openings on the Button Holder. Use the 4 screws in the 4 openings to secure.
  - iv. Plug the wire in to the circuit board.
8. Inspect for loose or rubbing parts. Correct as needed.
9. Return splash panel to its original position and secure the panel with its screws.
10. Return drip tray to its original position.

### Removing Front Panel



### Front Panel Rear View



### Represent 9a

