

## Introduction:

---

This manual covers the assembly, installation, start up, operation and maintenance of the 600, 800 and 1000 remote low side cuber systems.

### Table of Contents

Configuration: . . . . .	Page 2	Controller Operation . . . . .	Page 27
Technical Specifications . . . . .	Page 3	Initial Start Up . . . . .	Page 28
Model Number Locations . . . . .	Page 4	Purge Adjustment . . . . .	Page 29
Cabinet Drawings, Ice Making System . . . . .	Page 5	System Operation: . . . . .	Page 30
Cabinet Drawings, Compressor Package and Condensers . . . . .	Page 6	Refrigeration Details: . . . . .	Page 31
Proper Combinations: . . . . .	Page 7	Technicians Only: Freeze Cycle Sequence of Operation . . . . .	Page 32
Create the System . . . . .	Page 8	Technicians Only: Harvest Cycle Sequence of Operation . . . . .	Page 33
System Examples . . . . .	Page 9	Power and Water Interruptions . . . . .	Page 34
System Examples . . . . .	Page 10	Sanitation and Cleaning . . . . .	Page 35
Place Remote System . . . . .	Page 11	Other Maintenance . . . . .	Page 36
System Location . . . . .	Page 12	Tight Installation Access . . . . .	Page 37
Route Tubing . . . . .	Page 13	Water Distributors . . . . .	Page 38
Ice Making Section . . . . .	Page 14	Ice Sensors . . . . .	Page 39
Compressor Package . . . . .	Page 15	Water Level Sensor Maintenance . . . . .	Page 40
Condensing Section Assembly . . . . .	Page 16	Service Diagnosis . . . . .	Page 41
Condensing Section Assembly: ER2C6810 . . . . .	Page 17	Service Diagnosis . . . . .	Page 42
Condensing Section Assembly . . . . .	Page 18	Service Diagnosis . . . . .	Page 43
Ice making section: . . . . .	Page 19	Controller Features & Last Error Recall . . . . .	Page 44
Water and Drain . . . . .	Page 20	Operational Characteristics 600 lb system . . . . .	Page 45
Water and Drain . . . . .	Page 21	Operational Characteristics 800 lb system . . . . .	Page 46
Water and Drain . . . . .	Page 22	Operational Characteristics 1000 lb system . . . . .	Page 47
Ice Making Section Set Up . . . . .	Page 23	Refrigeration System Service . . . . .	Page 48
Coupling Connections: . . . . .	Page 24		
Condensing Unit Connections . . . . .	Page 25		
Final Placement . . . . .	Page 26		

# Eclipse™ 600, 800, 1000

## Configuration:

A remote low side cuber system includes several sub systems: an ice making section, a remote compressor package, and a remote air cooled condenser. Additionally, there are two models of each sub-system and this manual covers all of them.

The ice making sections are designed for use indoors in a controlled environment. The remote compressor packages and condensers are designed to operate outdoors. Each sub-system has limits for power, water and temperature.

### Operational Limitations:

	Minimum	Maximum
Air Temp (IMS)	50°F	100°F.
Air Temp (CU)	-20°F.	120°F.
Water Temp	40°F.	100°F.
Water Pressure	20 psi	80 psi
Voltage (IMS)	104	126
Voltage (CU)	198	253

IMS = Ice Making Section, CU= Condensing Unit

### System Information

System Model Number	Condensing Unit (CU)				Ice Making Section (IMS)	
	Compressor Package		Condenser		Model	Electrical
	Model	Electrical	Model*	Electrical		
Eclipse 600-42	CP686-32A	208-230/60/1	ERC680-32A	208-230/60/1	CME686RLS-1A	115/60/1
Eclipse 600-43	CP686-3A	208-230/60/3				
Eclipse 800-42	CP886-32A	208-230/60/1	ERC680-32A	208-230/60/1	CME810RLS-1A	115/60/1
Eclipse 800-43	CP886-3A	208-230/60/3				
Eclipse 1000-42	CP1086-32A	208-230/60/1	ERC1086-32A	208-230/60/1	CME810RLS-1A	115/60/1
Eclipse 1000-43	CP1086-3A	208-230/60/3				

Notes: Voltage Codes are at the end of the model number. Codes read Voltage/Hertz/Phase. Those related to these products include:

- 1 = 115/60/1
- 3 = 208-230/60/3
- 32 = 208-230/60/1
- 42 = 115/60/1 and 208-230/60/1 (separate units)
- 43 = 115/60/1 and 208-230/60/3 (separate units)

Do Not operate the machine in conditions beyond these limitations. Doing so will void the warranty.

Scotsman ice systems are designed and manufactured with the highest regard for safety and performance. They meet or exceed the standards of UL and NSF.

Scotsman assumes no liability of responsibility of any kind for products manufactured by Scotsman that have been altered in any way, including the use of any part and/or other components not specifically approved by Scotsman.

Scotsman reserves the right to make design changes and/or improvements at any time.

Specifications and design are subject to change without notice.

### Warranty

Refer to the warranty coverage in effect when the equipment was sold. Warranty statements are included with each product.

### Systems:

Each sub-system is a separate entity that carries its own model and serial number. They must be combined to create a remote cuber low side system.

\*ER2C6810-32 is a two circuit remote condenser and can be used with any of these systems.

Pre-charged tubing kits are required to interconnect the IMS to the CP.

Interconnecting 24 volt control wire ships with the CP unit.

## Technical Specifications

### Ice Making Section (IMS)

Model	Voltage	Minimum Circuit Ampacity	Max Fuse Size	Cabinet Size	Weight (lb)
CME686RLS-1A	115/60/1	3	15	22"w x 16.5"d x 28" h*	92
CME810RLS-1A	115/60/1	3	15	same	92

\* Height does not include bin control. (add 3")

### Compressor Package

Model	Voltage	Contains Headmaster?	Minimum Circuit Ampacity	Max Fuse Size	Refrigerant Charge (R-404A)*	Cabinet Size	Weight (lb)
CP686-32A	208-230/60/1	Yes	9.8	15	232	29 3/4"w x 18"d x 34 1/2"h	
CP686-3A	208-230/60/3	Yes	6.9	15	232	same	
CP886-32A	208-230/60/1	Yes	14.6	15	232	same	180
CP886-3A	208-230/60/3	Yes	10.4	15	232	same	180
CP1086-32A	208-230/60/1	Yes	21.0	25	272	same	180
CP1086-3A	208-230/60/3	Yes	14.0	15	272	same	180

\* Includes entire system charge.

### Condenser

Model	Voltage	Contains Headmaster?	Number of Circuits	Minimum Circuit Ampacity**	Max Fuse Size**	Cabinet Size, with legs	Weight (lb)
ERC680-32A	208-230/60/1	No	1	1.25	15	29 3/4"w x 28 5/8"d x 38 1/2"h	95
ERC1086-32A	208-230/60/1	No	1	1.25	15	same	95
ER2C6810-32	208-230/60/1	No	2	1.9	15	29 3/4"w x 37 3/16"d x 38 1/2"h	

\*\* ERC condenser fan motor is powered from CP unit and the ERC's ampacity is included in CP unit numbers.

Note: The ERC680, ERC1086 and ER2C6810 do NOT contain a headmaster. The headmaster is in the CP units.

Note: 75 feet of interconnecting control wire (24 volt) is included with the CP units.

# Eclipse™ 600, 800, 1000

## Model Number Locations

---

### Ice Making Section

The dataplate on the back of the ice machine contains the model number, serial number and electrical data.

A second plate, located behind the front panel at the lower right front, also lists the model and serial numbers.

### Compressor Package

The dataplate on the right side of the compressor package contains the model number, serial number, electrical data and system refrigerant charge.

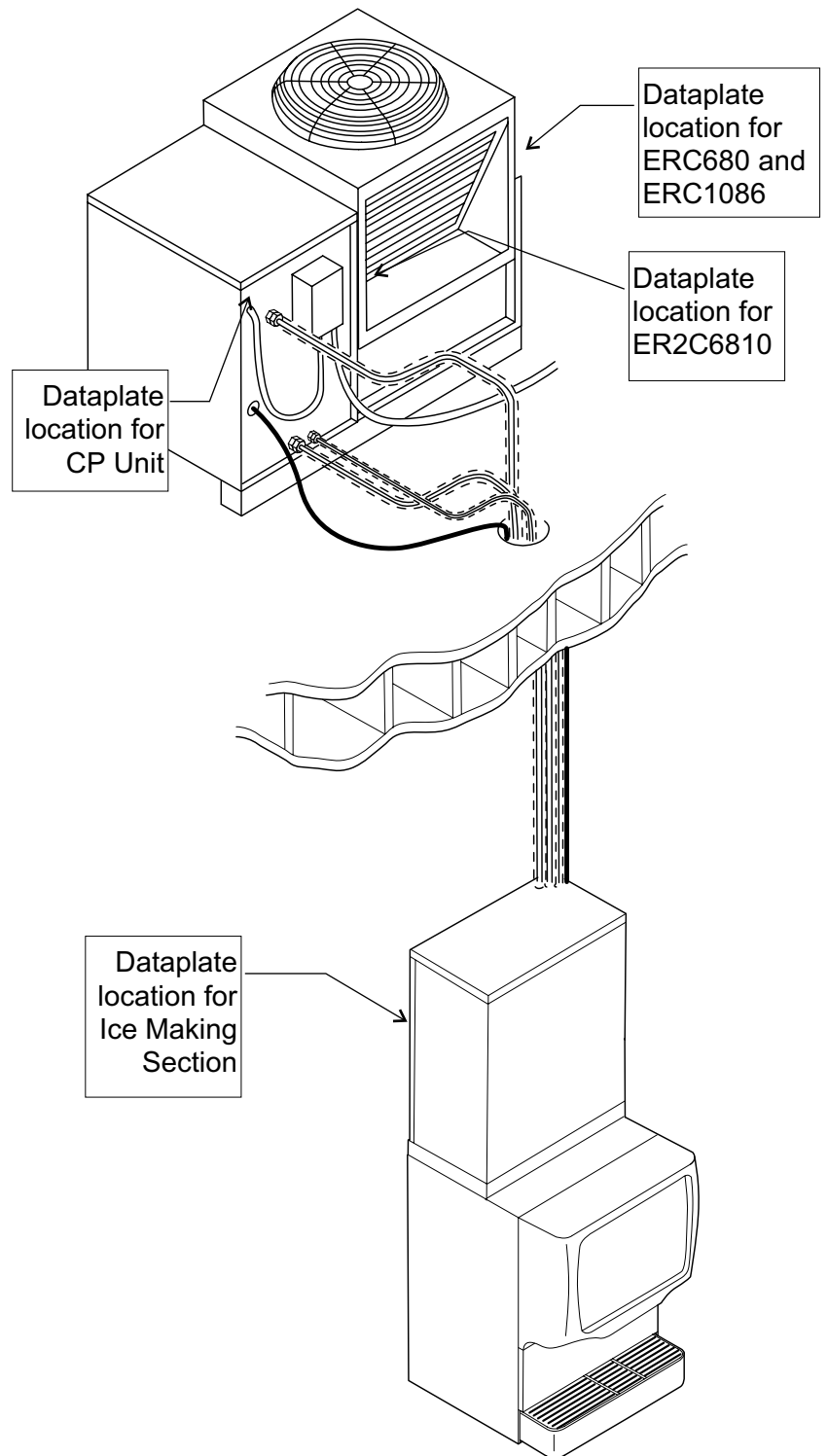
A second plate, located behind the front panel in front of the compressor, also lists the model number, serial number and refrigerant charge.

### Condenser

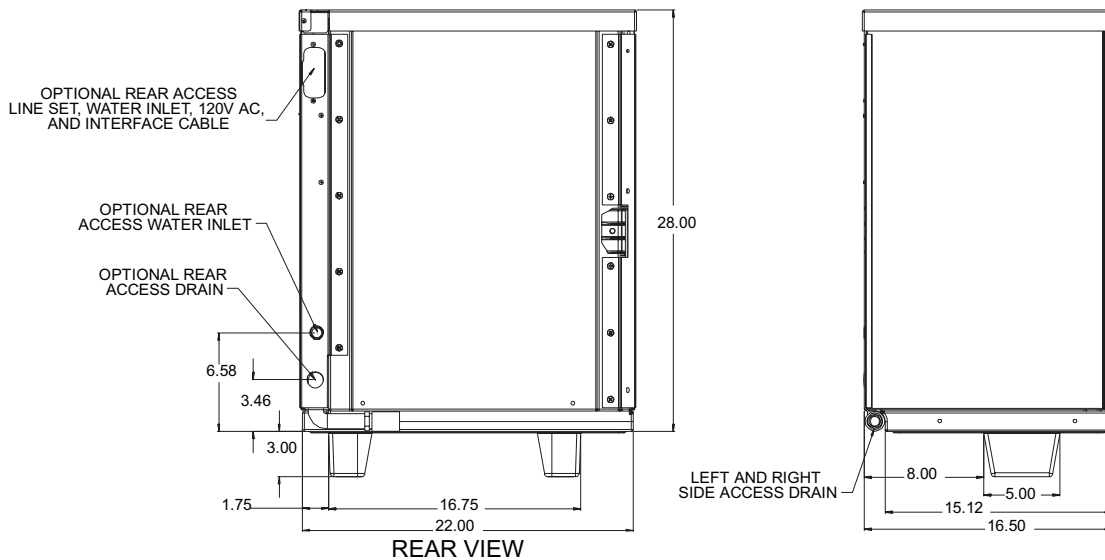
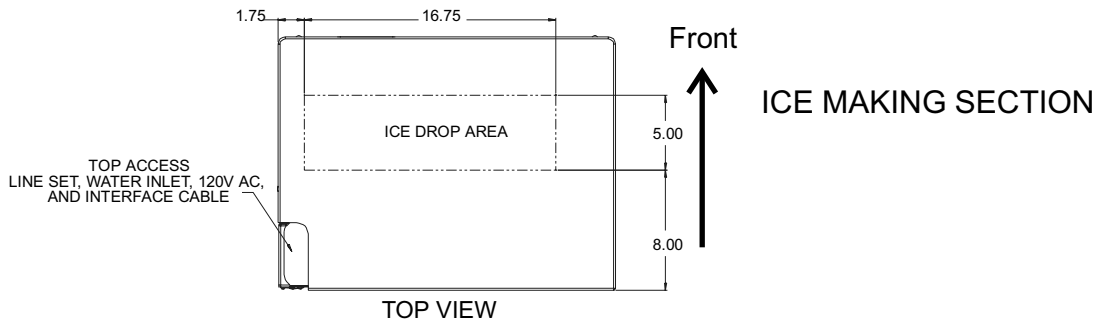
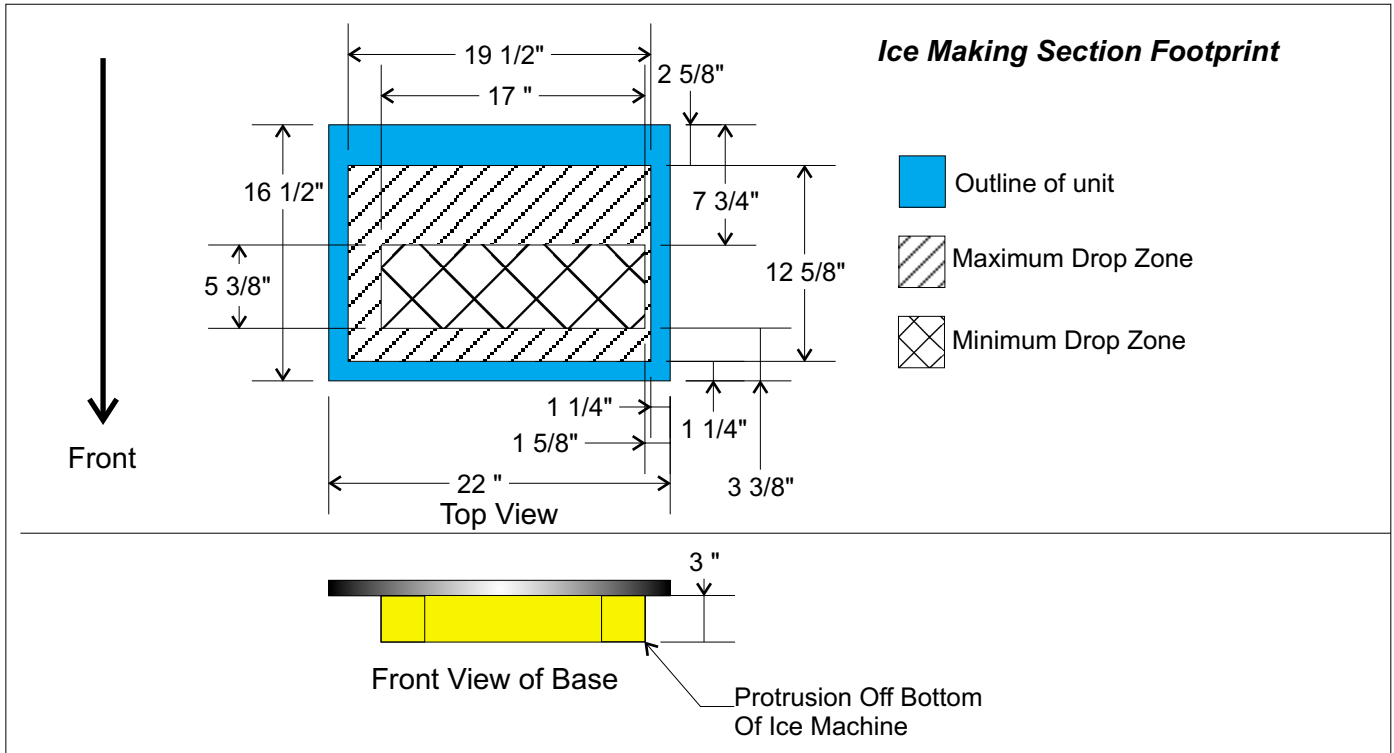
The dataplate lists the condenser's electrical information plus the model and serial numbers.

On the ERC680 and ERC1086 it is located on the side opposite the refrigeration connections.

On the ER2C6810 it is located on the inside of one of the leg panels.

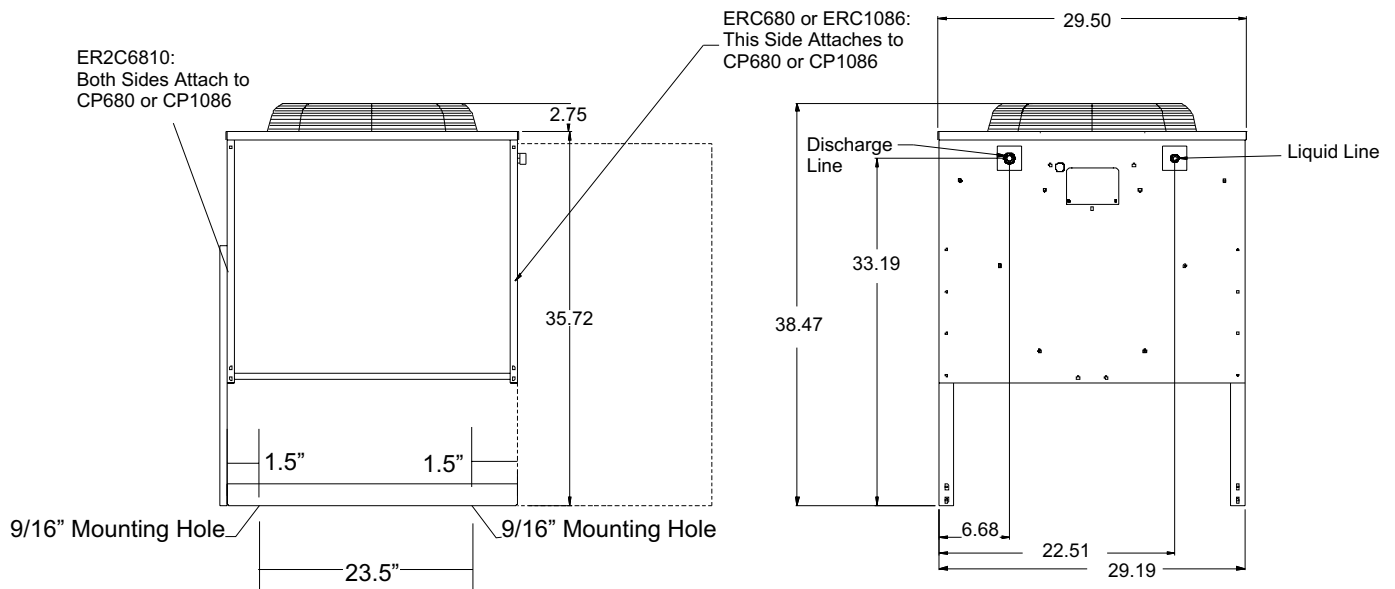
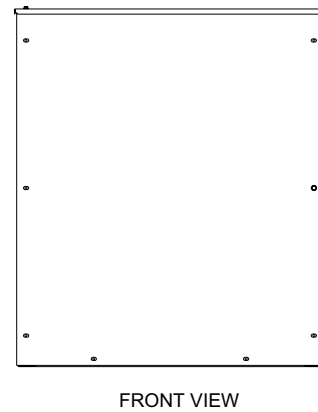
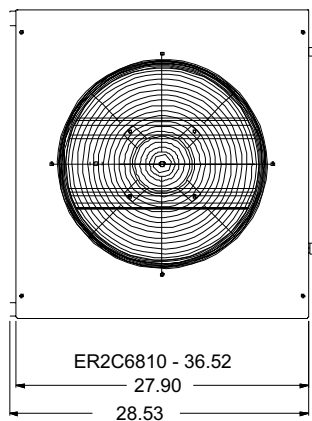
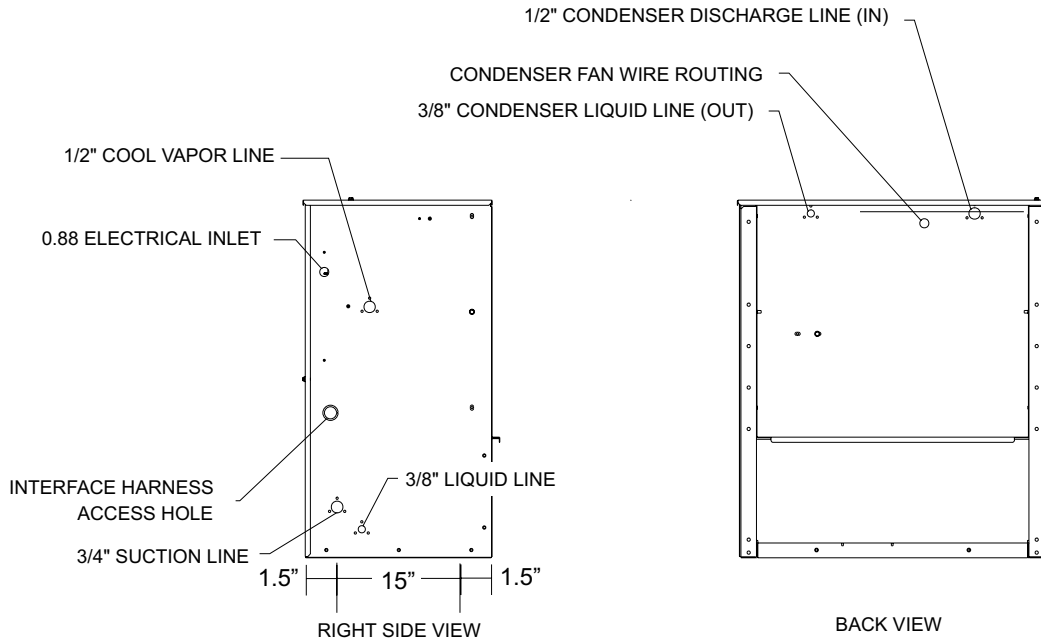


## Cabinet Drawings, Ice Making System



# Eclipse™ 600, 800, 1000

## Cabinet Drawings, Compressor Package and Condensers



## Proper Combinations:

---

The three sub systems are designed to be connected together in certain combinations to meet the user's needs:

Eclipse 600 System: CME686, CP686, ERC680\*

Eclipse 800 System: CME810, CP886, ERC680\*

Eclipse 1000 System: CME810, CP1086, ERC1086\*

\*ERC680 or ERC1086 may be substituted for by an approved central condenser coil & fan (coil must be without headmaster - headmaster is part of CP680 or CP1086).

---

Note: The ice making section cannot be stacked vertically.

---

Accessories such as bin adapters and tubing kits are required to complete the installation.

### Dispenser Adapter Kits:

- Cornelius ABS or ED150: **KBT40**
- Scotsman ID150: **KBT40**
- Scotsman ID200 or ID250: **KBT41**
- HD156: **KBT35**
- HD356: **KBT32**

### Bin Adapter Kits:

- BH360: **KBT31**
- HTB250/HTB350/HTB555: **KBT32**
- BH550: **KBT32** and **KBAFFLE1**
- BH800: **KBT33** and **KBAFFLE2**
- BH900: **KTB34** and **KBAFFLE3**

### Tubing Kits:

- 20 foot: **3RTE20**
- 50 foot: **3RTE50**
- 75 foot: **3RTE75**
- Suction Line Trap: **KSLT075**
- Interconnecting Tubing to Approved Rack Condenser Coil: **RTE10**
- Line end kit: **KTE6**

### Items required for installation:

- Ice making section
- Compressor Package (includes interconnecting control system wire)
- Remote condenser **or** approved rack coil w/tubing kit
- 20', 50' or 75' triple line set (liquid, discharge and suction)
- Bin or dispenser adapter

### Special Considerations

The ice making section's footprint is 22" wide by 16.5" deep. The refrigeration connections can be made out the top panel or out the back. The electrical power cord and the water inlet line can also be routed through either of those areas. The drain may be routed out the back at any position left to right; it may also be routed to either side.

The ice sensors, used for determining if the bin is full or not, are located in housings that extend below the bottom of the unit. As ice is made, it will build up in the bin or dispenser until the top of the ice pile is between the sensors. At that point, about 3" below the bottom of the cabinet, the ice machine will shut off. This ice level maximizes ice storage without overfilling the bin or dispenser.

### Water

Pure water does not exist. All water supplies contain some amounts of impurities, although potable water is, by definition, fit for human consumption. Because the contents of the water to an ice machine directly impact its performance, consideration should be given to improving the water's quality.

There are two ways water can contain impurities: in suspension or in solution. Suspended solids can be filtered out of the water. In solution or dissolved solids must be diluted or treated. Water filters are recommended to remove the suspended solids. Some filters or filter systems have treatment chemicals in them for treating the suspended solids.

This ice machine has an adjustment for the amount of water rinsed or purged. Water use adjustments are customer convenience adjustments; they are not factory defects and are not covered by warranty.

# Eclipse™ 600, 800, 1000

## Create the System

---

**Plan the installation.** The system consists of four parts: the ice making section, the compressor package, the interconnecting tubing and the remote condenser. Of these, the biggest variable is the interconnecting tubing.

**Tubing:** The tubing consists of three pre-charged, insulated and sealed soft copper tubes. They each contain a small holding charge of R-404A. One tube, the liquid line, is 3/8" OD. The discharge tube is 1/2" OD and the suction tube is 3/4" OD. A site inspection will determine what length of tubing is required for the installation.

Excess tubing must be either shortened at the job site (recovering the holding charge, purging with nitrogen when brazing and evacuating to 50 microns) or coiled up inside the building.

Installations with greater than 20 feet of vertical lift between ice machine and the compressor require a suction line trap. The suction line requires careful handling and large radius bends to prevent kinking.

**Roof mounting:** To make installation easier the compressor and condenser are designed to be assembled together on the roof. Some installations will require the use of a hoist to lift the components to the roof.

**Pad mounting:** The compressor and condenser may be located below the ice making section, up to a limit of 15 feet.

**Distance from unit:** Limited to the length of the available pre-charged tubing.

**Elevation:** CP unit limited to 35 feet above the ice making section.

**Compressor package:** Electrical power must be supplied to the compressor package. The remote condenser fan motor takes its power from the compressor package.

**Ice making section location and attachment:** The unique footprint of the CME686 and CME810 require adapter kits to allow placement on dispensers and bins. The remote tubing connections must be made from the right side of the machine, and connections should not be made until the machine is nearly in its final installed position. The 115/60 Hz ice making section is cord connected and requires an outlet within 6 feet of the installation.

**Interconnecting wires:** An interconnecting wire harness is included with the CP unit. One end plugs into the ice making section and the other into the compressor package. The system will NOT operate without this harness.

**Exposed tubing:** Minimize the amount of tubing exposed outdoors.

### Confirm Component Availability:

- CME686 or CME810
- CP686 or CP886 or CP1086
- ERC680 or ERC1086 or ER2C6810 unless connecting to an approved condenser coil.

---

Note: Only these condensers may be used. They do NOT contain a headmaster valve. That valve is in the Compressor Package. **Do NOT use any other Scotsman condenser.** Do NOT use these condensers on any other Scotsman remote product.

---

- Interconnecting tubing kit

---

Note: Check tubing integrity before assembly by attaching a refrigeration compound gauge onto one of each tube's schrader valves. If there is pressure, the tube is OK, if not it should be checked for damage and leaks.

---

- Bin or dispenser adapter

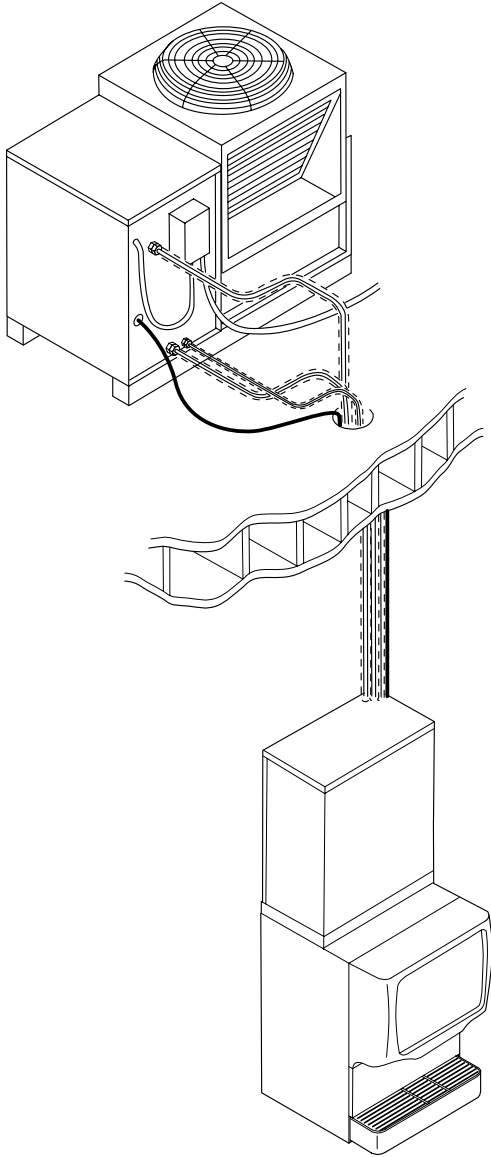


## System Examples

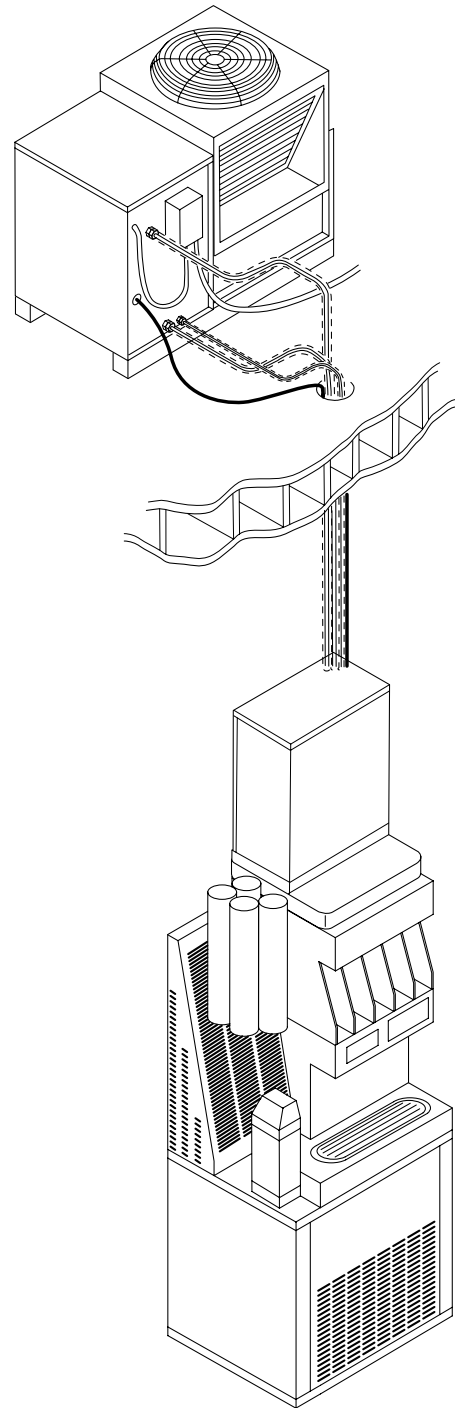
The Eclipse system can be installed on a bin or dispenser. The CP unit can be installed on either a single circuit condenser, a two circuit condenser or onto a coil in a separate rack condenser.

Separate coils must be:

- Scotsman approved
- The correct size and capacity
- New or not have been part of a system that used mineral oil.



**Single Circuit System**



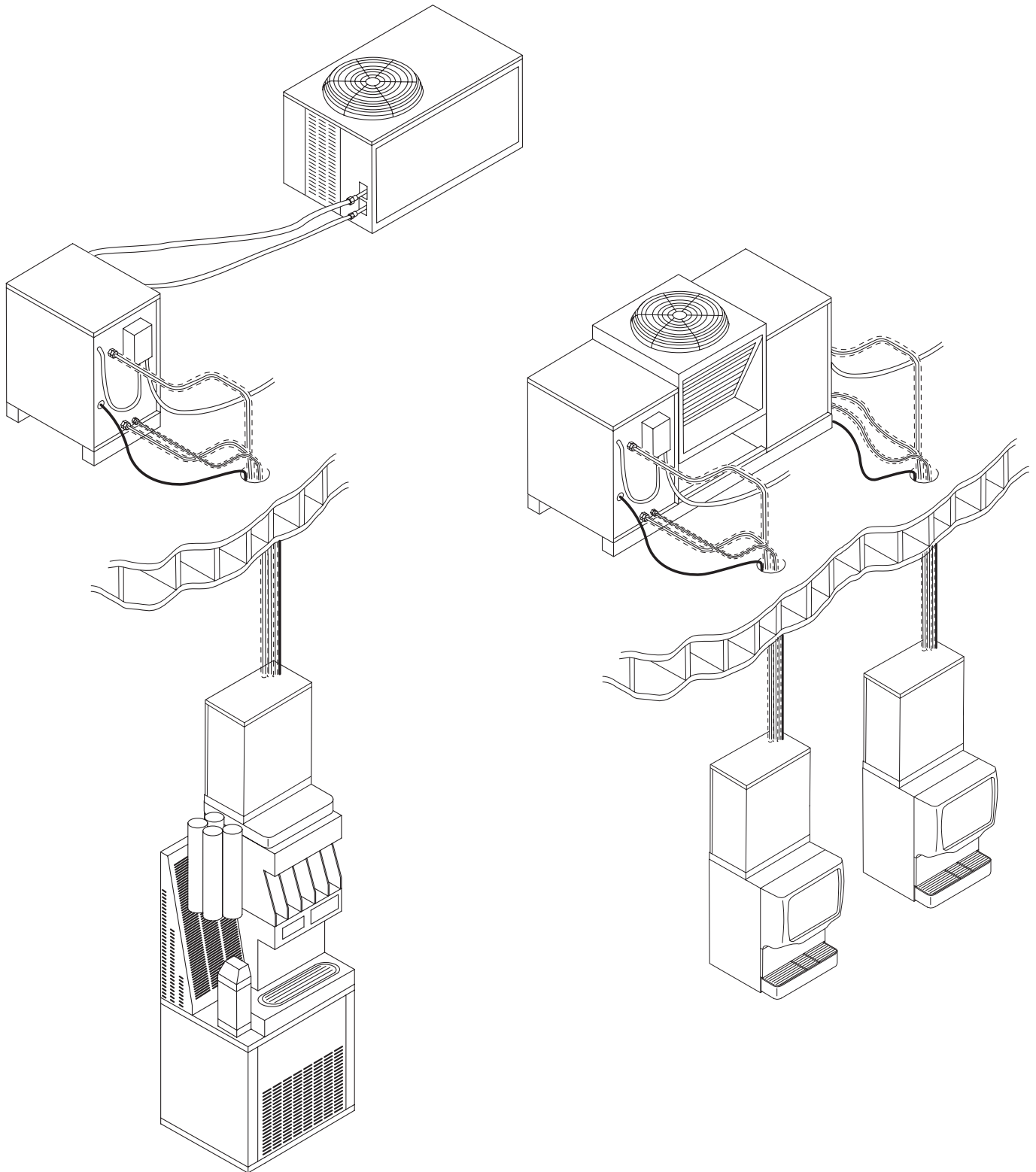
**Single Circuit System on ABS Dispenser**

# Eclipse™ 600, 800, 1000

## System Examples

---

Single circuit systems use a single circuit condenser and one CP unit. Two circuit systems use a condenser with two circuits with a CP unit at each end.



***IMS on ABS Dispenser, CP Unit Connected to Approved Rack System***

***Two Circuit System***

## Place Remote System

---

### Roof preparation

Most installations of this system will place the compressor package and condenser on the roof of a building. The roof must be physically stout enough to accept the load of the equipment and the roofing material must be prepared to prevent water leaks.

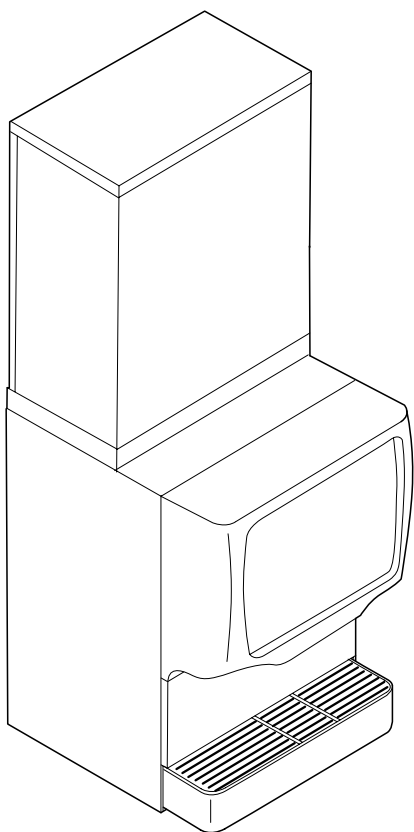
Follow local codes for the placement and attachment of the equipment.

### Location

The condensing unit assembly requires unobstructed air flow to operate efficiently. A four foot space between each intake side and a wall or other cabinet is recommended.

Do not place where it will pick up hot discharged air from an air conditioner or other refrigeration system condensing unit.

Space must also be reserved for service on the compressor package. If using the ER2C6810 condenser, save space for the second CP unit to be attached to the other end of the condenser.



*IMS Shown on Ice Dispenser*

### Roof Piercing:

The roof (or wall) must have a passage large enough for the three pre-charged, pre-bent tubes and the control wire to pass through. The minimum recommended size is 4" ID. In most areas the power supply may also pass through the same passage. If there isn't a passage one must be created. In most cases this must be done by a licensed and bonded roofer in order to maintain the roof's integrity.

### Suggestions:

Hoist the compressor package and condenser to the roof in separate loads.

---

Note: In most cases a mechanical lift, boom truck or crane will be required to hoist the condensing unit components.

---

Assemble the compressor package to the condenser and mount both to either roof rails or pressure treated 4 x 4s.

Orient the assembled unit so that the unit's mounts are parallel to the pitch of the roof to allow water to drain freely.

Do NOT place the unit directly onto roof rock.

# Eclipse™ 600, 800, 1000

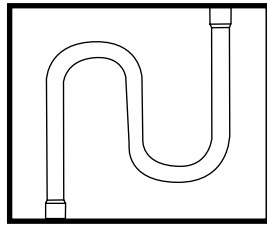
## System Location

### Limitations:

Distance: Limited to the maximum length of a single pre-charged tubing kit, 75 feet.

Condensing Unit Elevation over Ice Making Section: 35 feet.

Note: Elevations greater than 20 feet require installation of a suction line trap at the 20 foot mark.

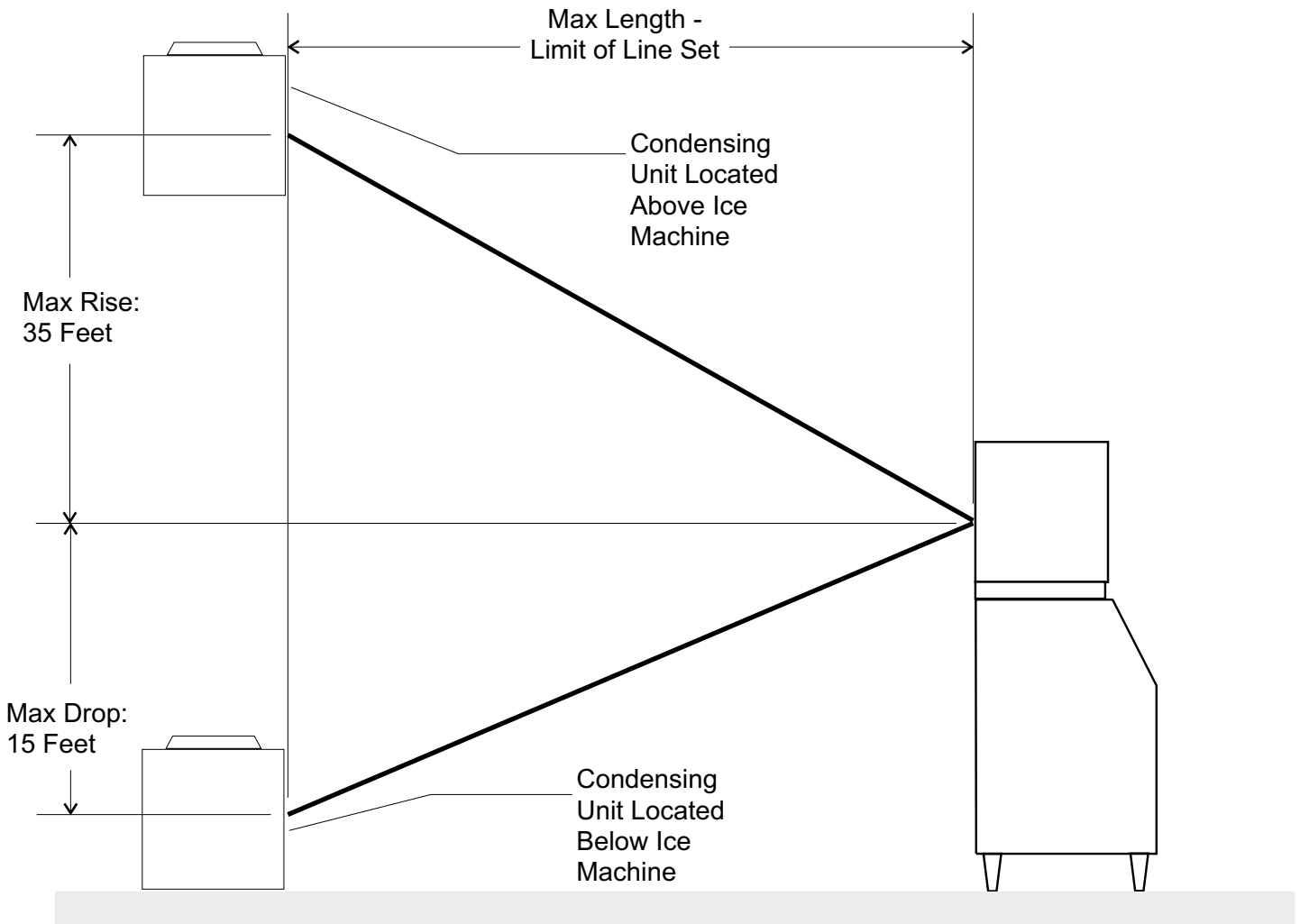


**S-Trap**

Ice Making Section Elevation over Condensing Unit: 15 feet.

### Line Routing:

- Allowed: One rise after a drop.
- Allowed: One drop after a rise.
- Not Allowed: More than one rise after a drop
- Not Allowed: More than one drop after a rise.

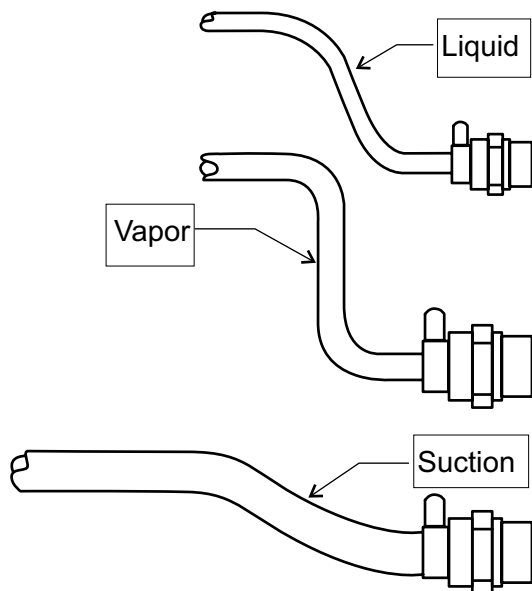


**Condensing Unit Distance Schematic**

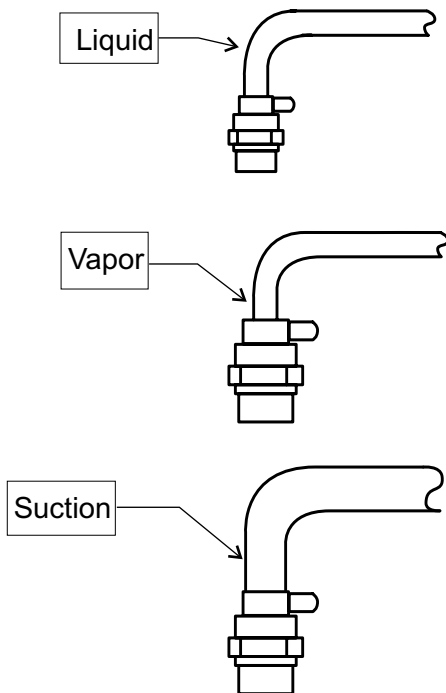
## Route Tubing

Scotsman's pre-charged tubing kits are pre-bent to fit the connection path at the ice making section.

- If the tubing is to be routed out the **top**, use the **double-bend** ends.



- If the tubing is to be routed out the back, use the ends with the **single 90 degree bends**.



Note: Units mounted flush against the wall require refrigerant connections out the top, water supply in from the top, power supply routed through the top and drain routed to a side.

Select the correct end to send to the roof.

The method or technique used to route the tube is left to the installer. However, in many cases it is easier to position the tubing inside the building first, then feed the outside portion through the tubing passage (pitch pot). Installation of tubing will be easier if the suction line is run first, followed by the liquid and vapor lines. Use of two persons is suggested to prevent kinking of the tubing, long runs may require three people.

- Allow enough tubing to make large radius bends from the roof passage to the compressor unit. Do NOT leave excess tubing on the roof.
- If a trap must be installed, the suction line tubing must be cut apart to install it.
- Identify the ice machine end of the tubing. Each tube has one end formed to route through the hole in the unit's top.
- Tape the ends of the vapor and liquid line tubes together along with the interconnecting wire. Extend the end of the interconnecting wire about 2 feet beyond the end of the precharged tubes and then tape it back onto the tubes.
- Route the three tubes and the wire from the roof, or other entrance, to the ice making section's planned position. Avoid uncoiling and recoiling the tubing, as that can lead to kinks.
- Support long runs of tubing with hangers.
- Repair any tears in the tubing insulation, especially those on the suction line that are inside the building.

### Shortening Tubing

The precharged tubing kits are available in a variety of lengths, they should only be shortened if absolutely necessary.

To Shorten Tubes:

1. Recover the 3 ounce R-404A holding charge from each tube.
2. Cut out the required length of tubing, do not cut the tubing right at the quick connects.
3. Attach nitrogen bottle to one quick connect and a hose with a depressor to the other end, purge nitrogen through each tube while brazing.
4. Remove nitrogen, evacuate to 200 microns.

Note: If tubes are connected to the IMS, evacuate the vapor & suction lines to get the entire system.

# Eclipse™ 600, 800, 1000

## Ice Making Section

The CME686 and CME810 are similar in layout. They differ in controller, float stem and vapor inlet valve. Both have three plates and three thermostatic expansion valves.

### Major Components:

**TXVs** - one per plate, same for all

**Water Pump** - same for both models

**Water Level Sensor** - signals water level to the controller

**Controller** - operates both the ice machine section and the compressor unit.

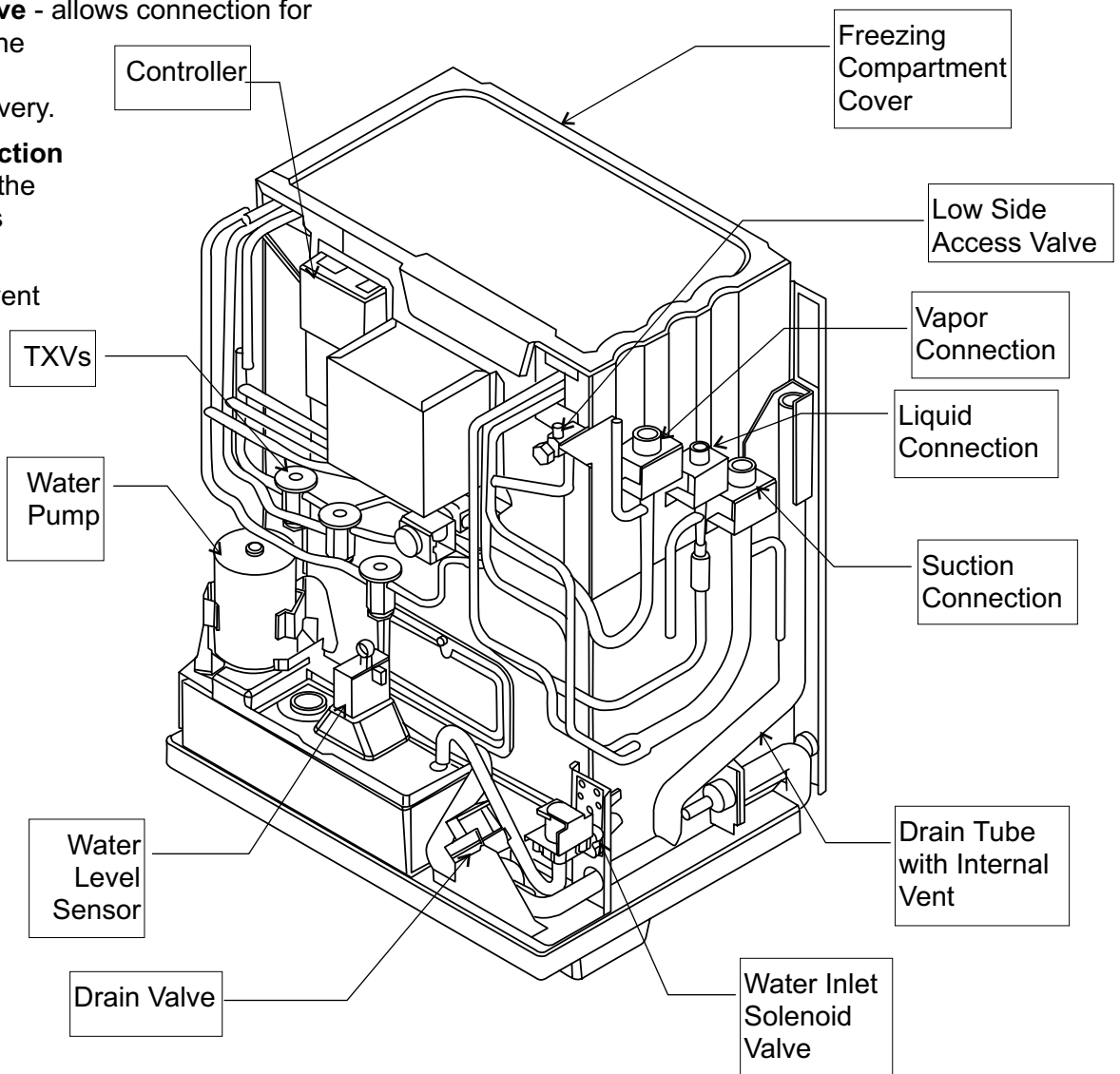
**Drain Valve** - opens to allow pump to drain reservoir

**Water Inlet Valve** - 1.25 GPM solenoid valve that opens to fill the reservoir

**Low Side Access Valve** - allows connection for diagnosis of ice machine section refrigeration operation. Not for recovery.

**Liquid, Vapor and Suction Connections** - where the pre-charged tubing kits connect to.

**Drain Tube** - internal vent eliminates need for external vent



## Compressor Package

Both compressor packages are similar in layout, they only differ in compressor and charge.

### Major Components:

**CPR Valve** - limits refrigeration pressures inside the dome of the compressor.

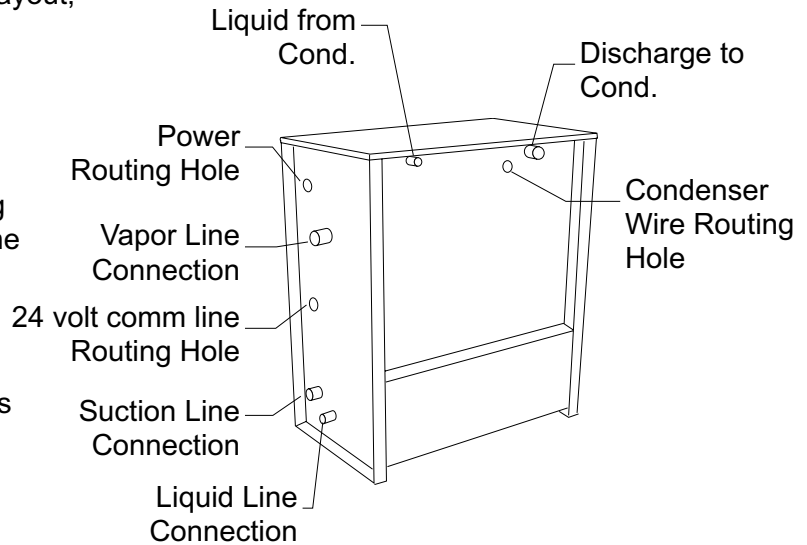
**Condenser By Pass Valve** - opens during harvest to allow discharge gas to flow to the vapor line.

**Headmaster** - maintains a minimum discharge pressure during freeze

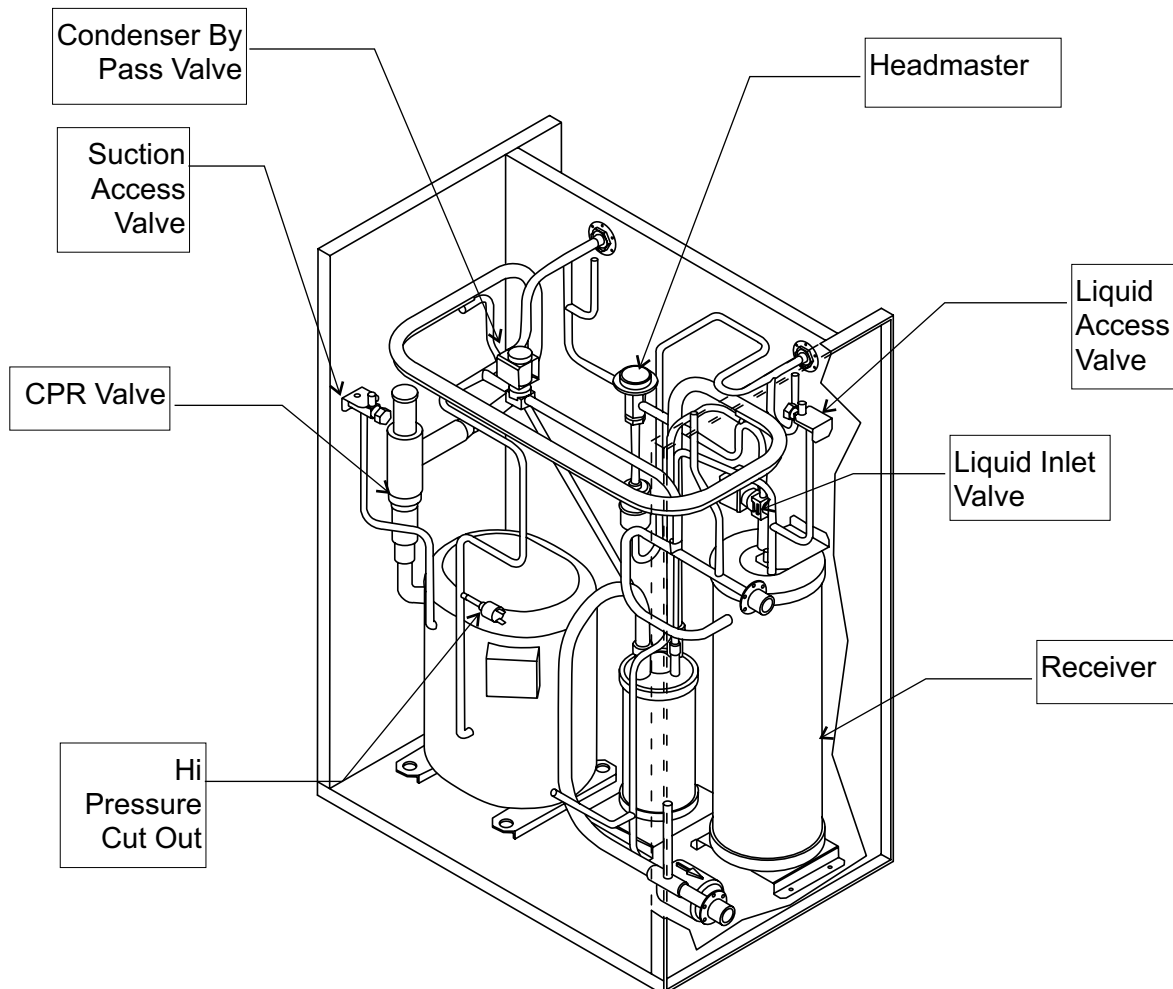
**Liquid Inlet Valve** - Normally Open, closes during harvest.

**Receiver** - stores liquid refrigerant for freeze and provides vapor for harvest

**Suction Access Valve** - provides a place to attach a refrigeration manifold for diagnostics and recovery.



**CP Unit Refrigeration Connection ID**



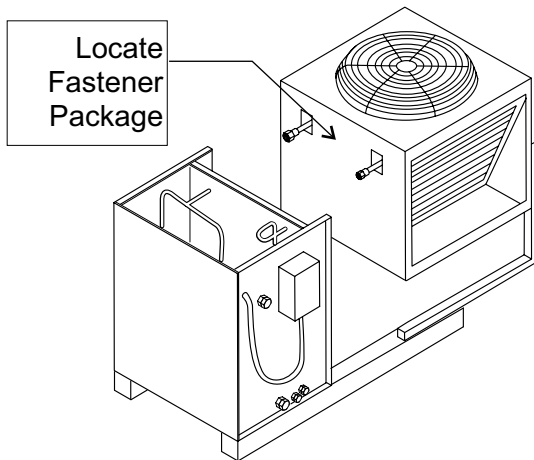
**CP Component Location**

# Eclipse™ 600, 800, 1000

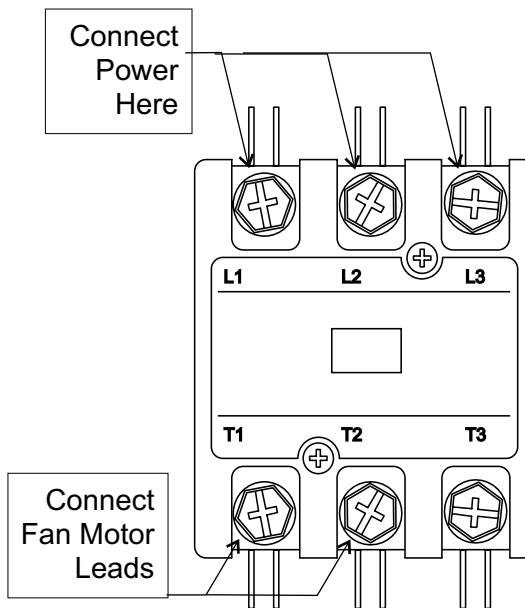
## Condensing Section Assembly

(CP680 to ERC680 or CP1086 to ERC1086):

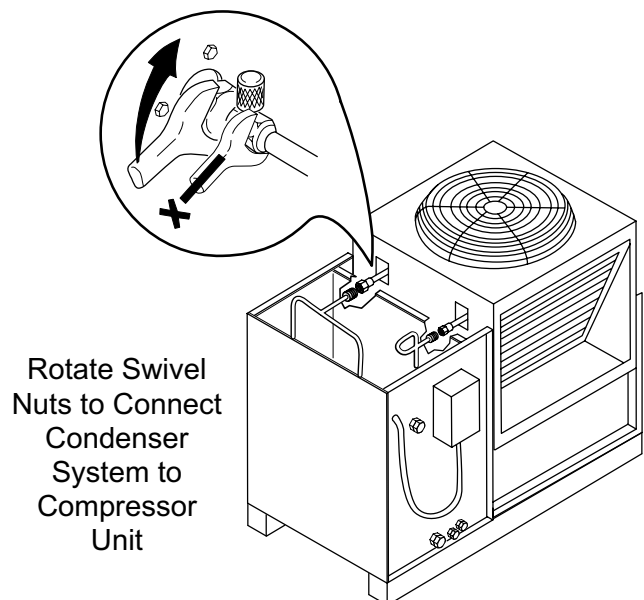
1. Remove cartons from compressor package and condenser.
2. Remove top from both units.
3. Remove front panel from CP unit.
4. Locate legs, secured to ERC unit.
5. Locate fasteners, inside junction box of ERC unit.
6. Assemble rear legs to ERC using fasteners from prior step.



7. Locate wire package in CP unit. Remove short wires and two wire nuts.
8. Use wire & wire nuts from step 7 to connect to the wires inside the junction box of the condenser. Return junction box cover to its original position.
9. Place front of ERC on back flange of CP unit.
10. Secure CP unit to ERC.
11. Attach leg brace between ERC unit and CP unit.
12. Route wires from condenser through hole in back of CP unit to the CP unit control box.
13. Pull ERC female refrigerant connections forward to engage male connections on CP unit.
14. Rotate swivel nuts to tighten refrigerant connections. Use a back up wrench to hold female connection to prevent tearing of the diaphragms.
15. Connect wire to **T1** and **T2** of the contactor. Use the two wire nuts to connect the other end to the two black wires in the condenser junction box.
16. Return tops to their original positions.



**CP Unit Contactor, Three Phase Shown**

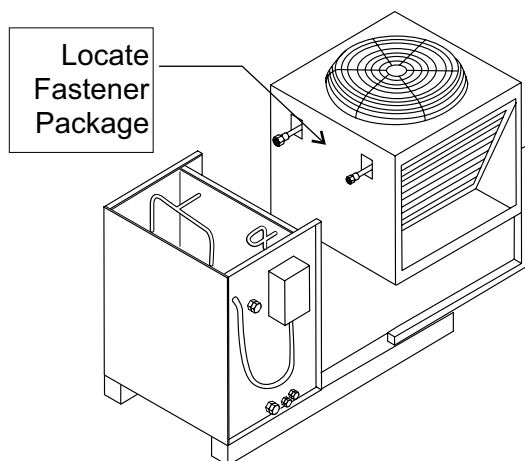




## Condensing Section Assembly: ER2C6810

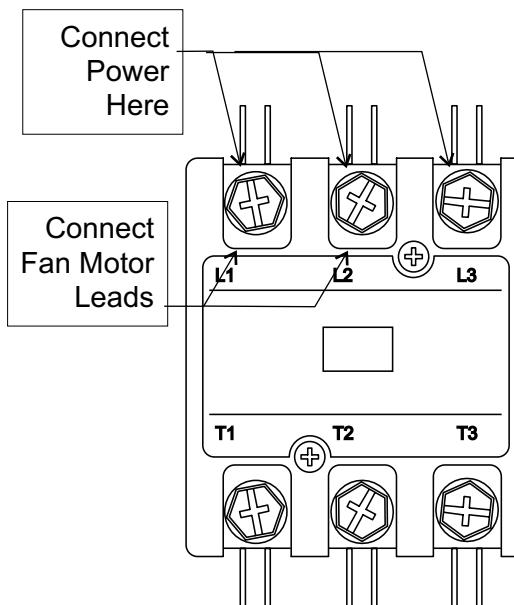
### (CP680 or CP1086 to ER2C6810):

1. Remove cartons from compressor package and two-circuit condenser.
2. Remove top from both units.
3. Remove front panel from CP unit.
4. If installing one CP unit, locate legs, secured to ERC unit. If installing two CPs, skip steps 5, 6, 7 and 9.
5. Locate fasteners inside junction box of ERC unit.
6. Assemble rear legs to ERC using fasteners from prior step.



7. Locate wire package in CP unit. Remove short wires and two wire nuts.
8. Use wire & wire nuts from step 7 to connect to the wires inside the junction box of the condenser. Return junction box cover to its original position.
9. Place front (with junction box) of ERC on back flange of CP unit.
10. Secure CP unit to ERC.
11. Attach leg brace between ERC unit and CP unit.
12. Pull ERC female refrigerant connections forward to engage male connections on CP unit.
13. Rotate swivel nuts to tighten refrigerant connections. Use a back up wrench to hold female connection to prevent tearing of the diaphragms.

14. Route wires from ERC junction box to CP junction box.
15. Attach condenser wires (from wire package) to **L1** and **L2** of the contactor.

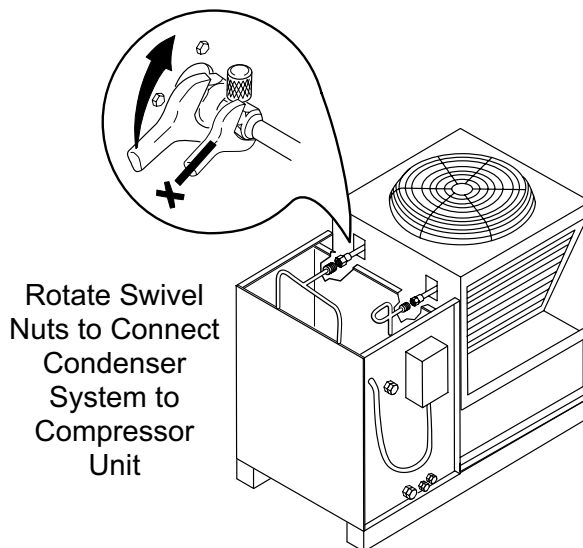


**Two Circuit Condenser Installation, CP Unit Contactor, Three Phase Shown**

**The fan motor of the ER2C6810 will always be on.**

**If installing two CP units, connect the fan motor leads to only ONE of the two contactors.**

16. Return tops to their original positions.



# Eclipse™ 600, 800, 1000

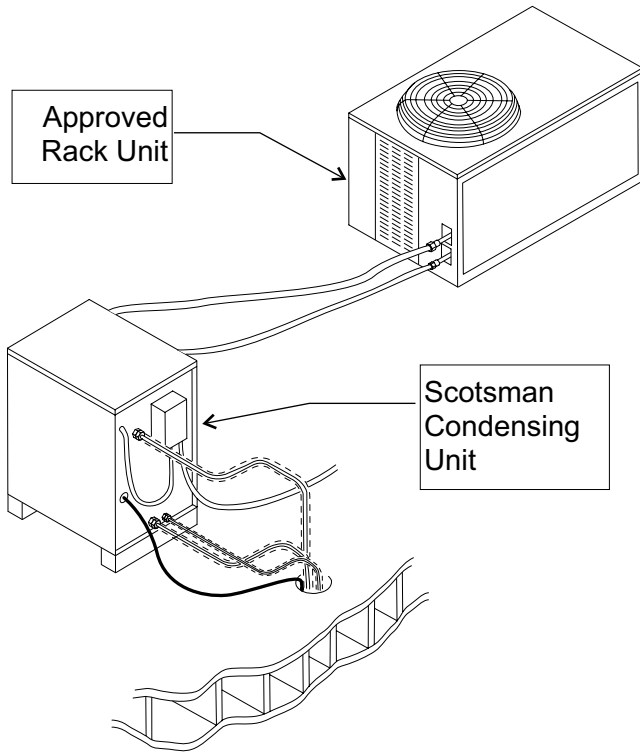
## Condensing Section Assembly

### Alternate Assembly:

The CP unit may be connected to an approved condenser coil in a central condenser rack. In those cases, the CP unit must be connected to the condenser coil using special kit RTE10.

Position the CP unit in its final spot. It must be within 6 feet of the condenser coil connections.

Route tubing from kit RTE10 from the CP unit to the condenser coil.



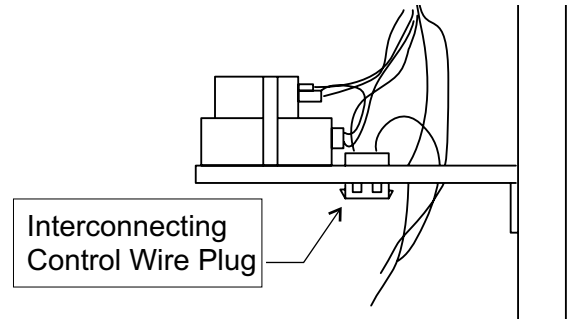
Connect tubing per the Coupling Instructions in this manual.

No wire connection is required between the CP unit at the condenser.

Note: Approved condensers must maintain power to their fan motor at all times.

### All Assemblies:

Route interconnecting control wire through proper hole in side of CP unit and plug into the connection on the bottom of the control box.

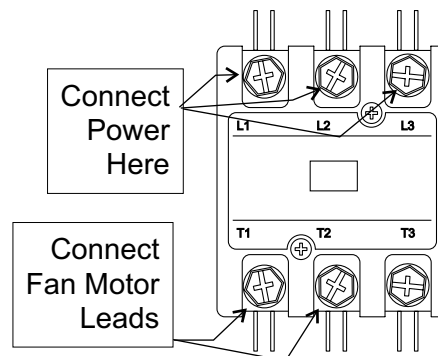


### Control Wire Connection in CP Unit

Route power conduit (liquid tight) and wires to the hole in the side of the CP unit. Secure with the proper type of connector.

Note: The power supply wires must be the correct size and type per the National Electric Code. Locate the nameplate on the CP unit for the Voltage, Phase, Minimum Circuit Ampacity and Maximum Fuse Size. Either fuses or HACR type circuit breakers may be used.

### Follow all Local, State and National Codes.



### CP Unit Contactor, Three Phase Shown

Connect power wires to the contactor, L1 and L2 if single phase, L1, L2 and L3 if three phase. Note: If there is a "wild leg" in the three phase power supply place it on L3.

Connect electrical power to the CP unit.

Return front of CP unit to its original position.

## Ice making section:

Remove from carton.

Remove all panels.

### Utility Connection Route:

Routing the refrigerant lines, power cord, water supply and interconnecting control wire out the top and a drain to the left or right allows the ice making section to be placed with its back tight against a wall.

If unit will have refrigerant lines routed out the top, remove and discard cover plate under top panel access hole.

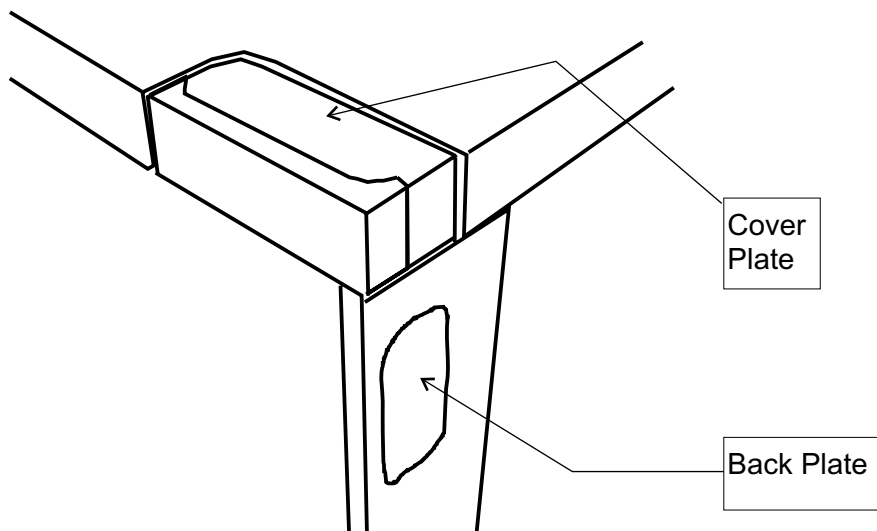
If unit will have refrigerant lines routed out the back, remove and discard the back plate.

### Attachment:

**ABS (Automatic Beverage Dispenser) in drive up installations: Route refrigerant tubing and install drain and water supply tubing onto ice making section before placing unit on the dispenser.**

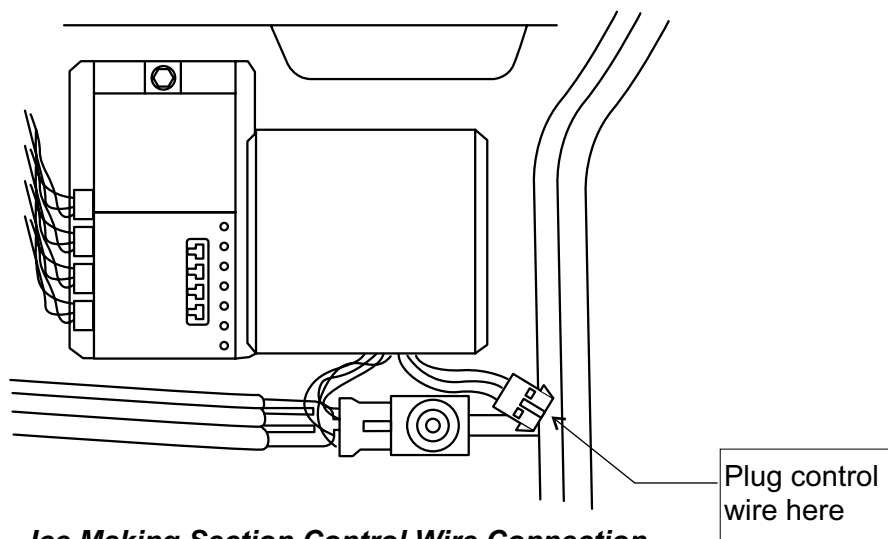
Place CME686 or CME810 onto adapter, do not secure at this time. Uncoil power cord and route to the power supply. Plug interconnecting control wire to the wire harness in the ice making section.

Do not secure unit to adapter at this time.



**Access Covers, Top Back View**

Place adapter kit onto bin or dispenser top. If adapter does NOT have gasket tape install tape such as Scotsman part number 19-0503-04.



**Ice Making Section Control Wire Connection**

# Eclipse™ 600, 800, 1000

## Water and Drain

The ice making section requires an adequate potable water supply and a gravity drain.

Determine how the water supply and drain will be connected to the ice making section.

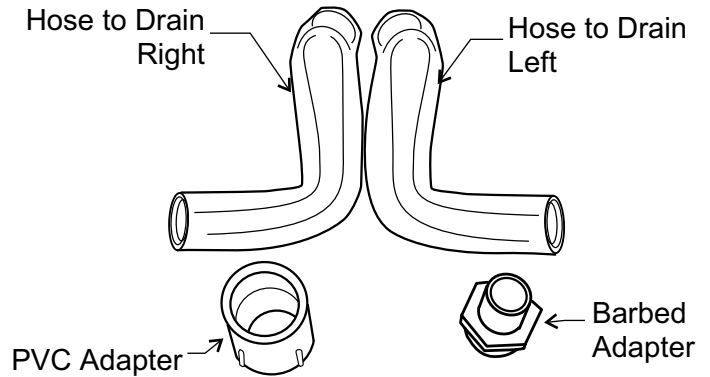
- If access is available behind the unit, route the drain and water supply in from the back.
- If the unit is to be flush mounted to the back of the dispenser and tight against the wall, the water supply must be routed from the top right corner and the drain out either the left or right back corners.

In some tight situations it will be necessary to assemble the ice making section to the dispenser or bin and install the water and drain connections before placing the system in its installed position. A loop of water supply tubing will allow movement of the system.

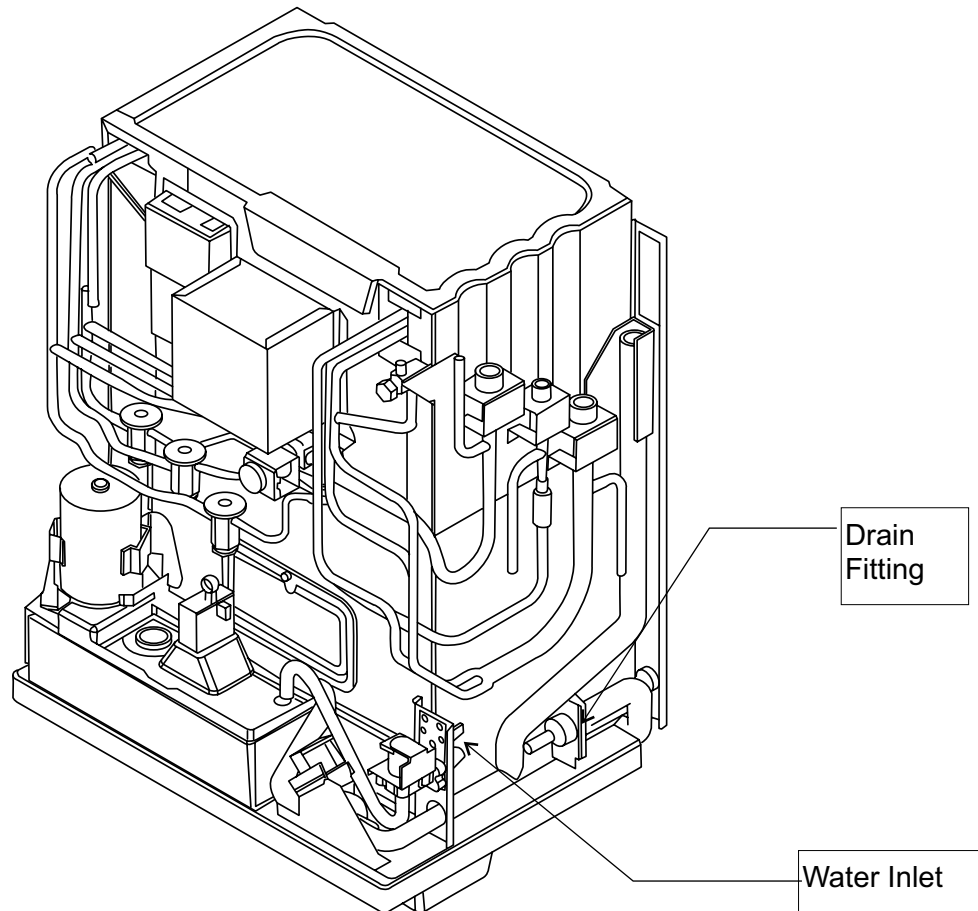
In other tight situations the unit should have its water and drain tubing connected and stubbed out before placing on the dispenser or bin.

The drain fitting is adaptable to drain connections to the left, right and back.

The unit is shipped ready to drain left. The drain hose to drain right is in a bag packed near the water pump.



**Included Drain Fittings**

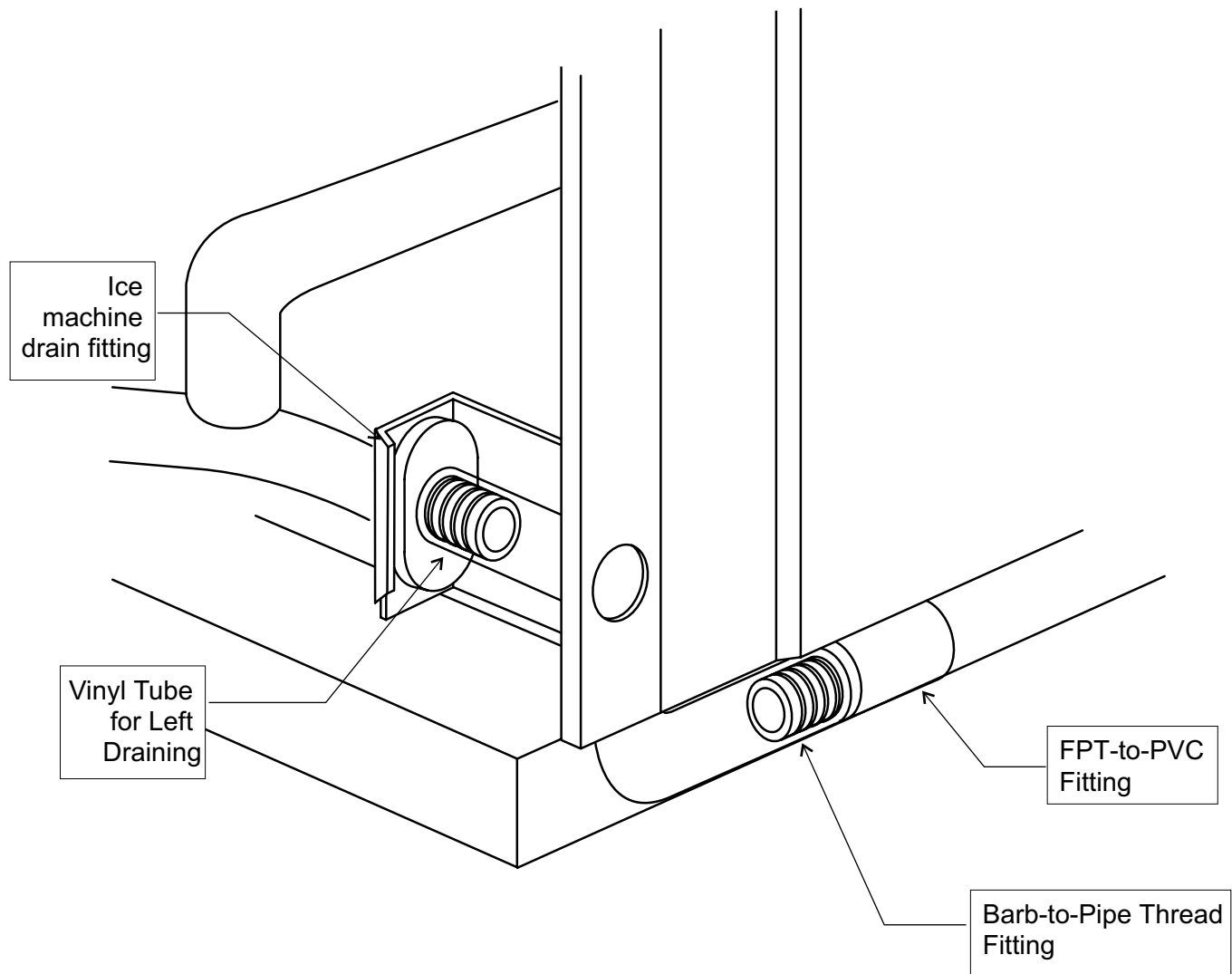


## Water and Drain

### Left Draining:

1. Connect  $\frac{3}{4}$ " PVC to the female PVC fitting. If copper is required by code, remove the PVC connector and install a  $\frac{3}{4}$ " FPT female copper fitting onto the  $\frac{3}{4}$ " NPT male fitting. Do all soldering before connecting to the male fitting.
2. In tight locations do the next step after the unit is placed on the dispenser or bin.
3. Connect rigid drain tubing to the reservoir drain tube. Route the drain either out the back, under the unit (through the notch in the base) to the left side or to the right side. **A vent is built into the unit, so no external vent is required.**

Run the drain tubing to the building drain. Do not "Tee" into any other drain, including the bin or dispenser drain.

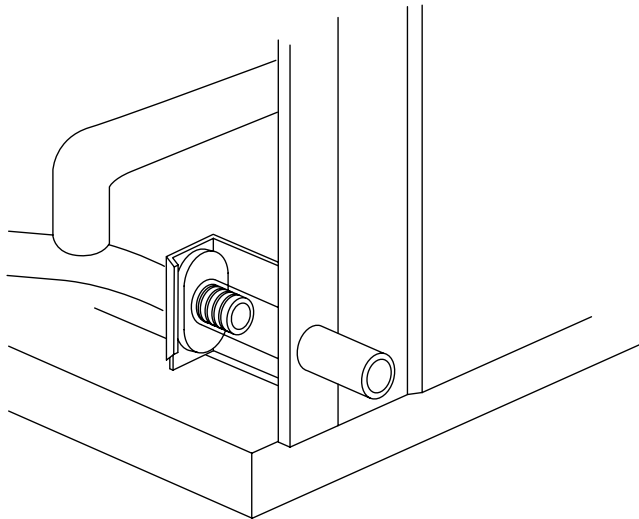


# Eclipse™ 600, 800, 1000

## Water and Drain

**Right Draining:** Remove vinyl hose from barbed fitting at drain fitting. Locate alternate vinyl hose. Attach to barbed fitting and insert barbed fitting from the original hose into outlet. Connect  $\frac{3}{4}$ " PVC to the PVC fitting.

**Back Draining:** Either connect a vinyl hose to the barbed fitting or connect PVC directly into the  $\frac{3}{4}$ " FPT drain fitting.



**Back View, Shown Set Up For Back Draining**

**No external drain vent is required, venting is internally provided for.**

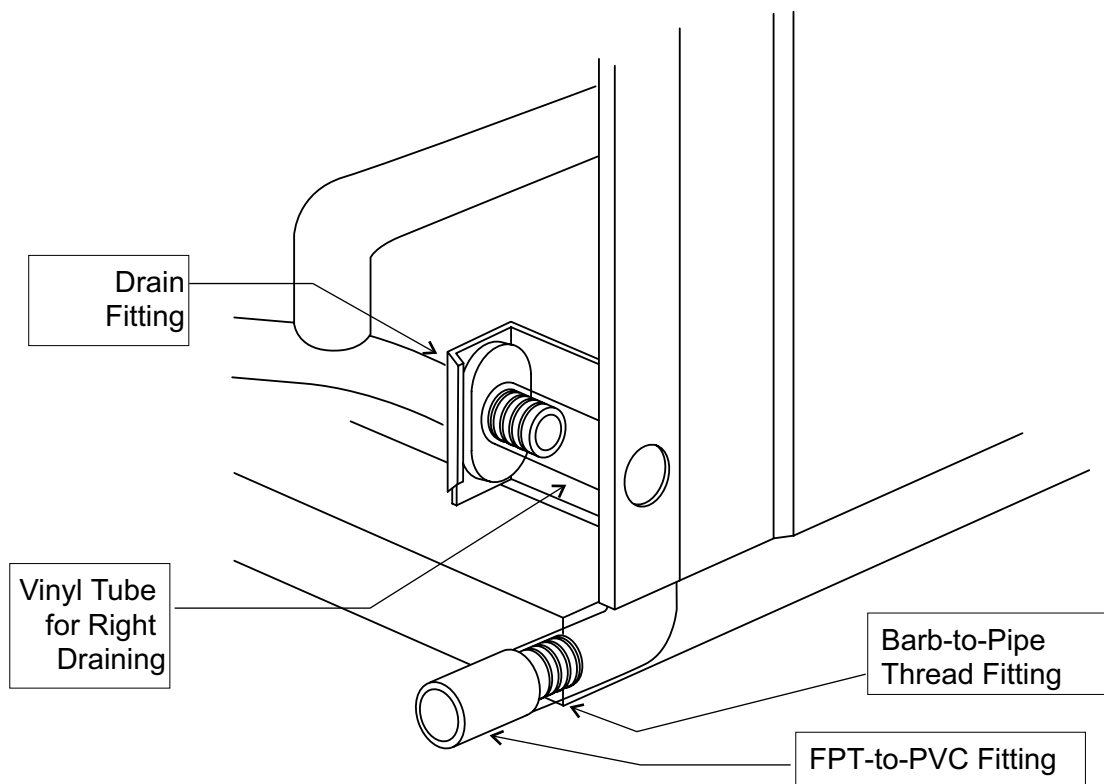
Note: External drain tubing must be supported to insure that it does not move and kink the internal rubber tube.

**Water Supply:** Connect a supply of cold, potable water to the  $\frac{3}{8}$ " fitting on the right side of the cabinet. A male flare fitting is on the unit.

Note: This is an NSF listed ice machine and contains provisions for back-flow prevention in its design. No external back flow preventer is required.

**Drain:** Connect rigid drain tubing to the reservoir drain fitting on the right side of the cabinet. Route the drain either out the back, under the unit (through the notch in the base) to the left side or to the right side. A vent is built into the unit, so no external vent is required.

Run the drain tubing to the building drain. Do not "Tee" into any other drain, including the bin or dispenser drain.



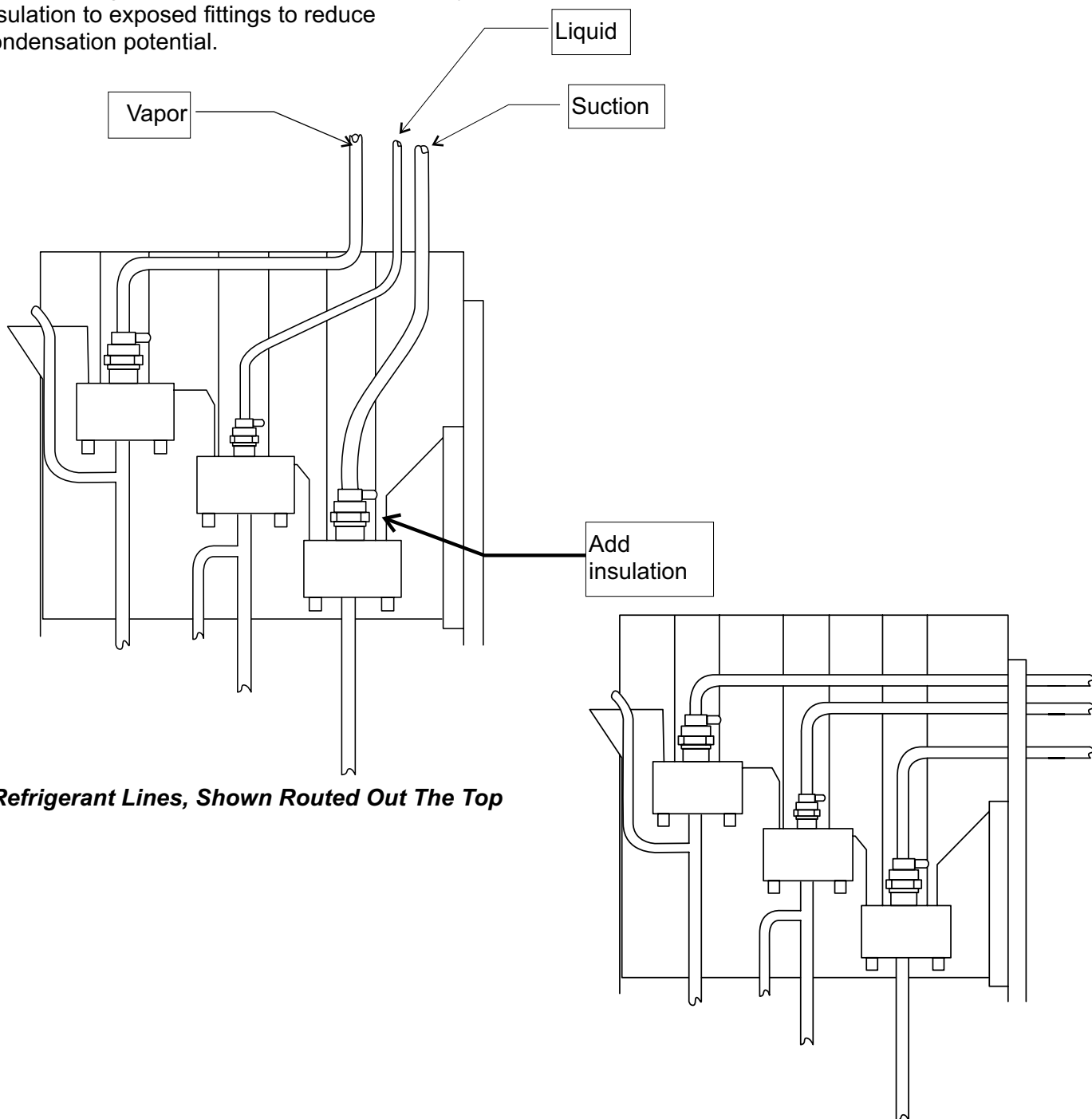
**Back View, Drain Tubing Installed for Right Side Drain**

## Ice Making Section Set Up

Rotate the ice making section as needed to access the right side, where the refrigeration connections will be made. Connect the suction line to the back fitting. Connect the liquid line to the middle fitting. Connect the vapor line to the front fitting.

See Coupling Connections on the next page for detailed instructions.

After couplings are connected, add cork-tape type insulation to exposed fittings to reduce condensation potential.



**Refrigerant Lines, Shown Routed Out The Top**

**Refrigerant Lines, Shown Routed Out the Back**

# Eclipse™ 600, 800, 1000

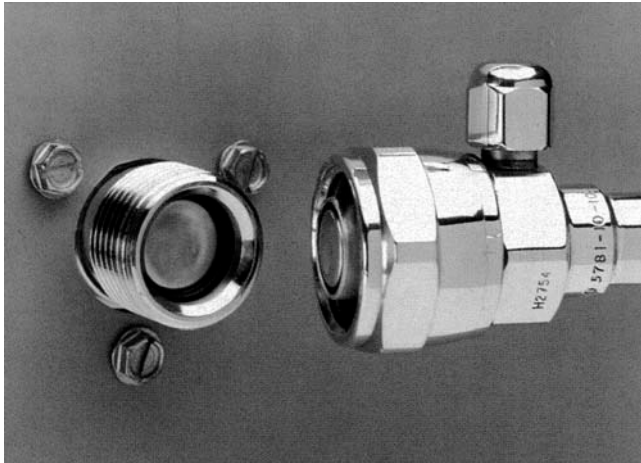
## Coupling Connections:

The couplings on the ends of the pre-charged line sets are self-sealing when installed properly.

Follow these instructions carefully. These steps must be performed by an EPA Certified Type II or higher technician.

### Initial Connections

1. Remove the protector caps and plugs. Wipe the seats and threaded surfaces with a clean cloth to remove any possible foreign matter.



### *Clean and Lubricate Couplings*

2. Thoroughly lubricate the threads, o-rings, diaphragms and all internal coupling surfaces with polyolester refrigerant oil.

3. Position the fittings on the correct connections on the condenser and ice machine.

### Final Connections:

4a. Begin to tighten the couplings together by hand. Continue to turn the swivel nuts by hand until it is certain that the threads are properly engaged.

4b. Using two wrenches, one to rotate the swivel nut and one to hold the tubing in place, tighten each coupling.

It is **CRITICAL** that **ONLY** the NUT on the pre-charged tube be turned, or the diaphragms will be torn by the piercing knives and become loose in the refrigeration system causing severe operational problems.

Note: As the coupling is tightened, the diaphragms in the quick connect couplings will begin to be pierced. As that happens, there will be increased resistance to tightening the swivel nut.

4c. Continue tightening the swivel nut until it bottoms out or a very definite increase in resistance is felt (no threads should be showing). Do NOT overtighten.



***Tighten Swivel Nut***

5. Use a marker or pen to mark a line on the coupling nut and unit panel. Then tighten the coupling nut an additional one-quarter turn. The line will show the amount that the nut turns.



***Rotate Swivel Nut ¼ Turn More***

6. After all connections have been made check the couplings for leaks.

7. Add cork tape to the swivel nut of the suction line to insulate it. **Be sure all exposed tubing of the suction line is insulated.**

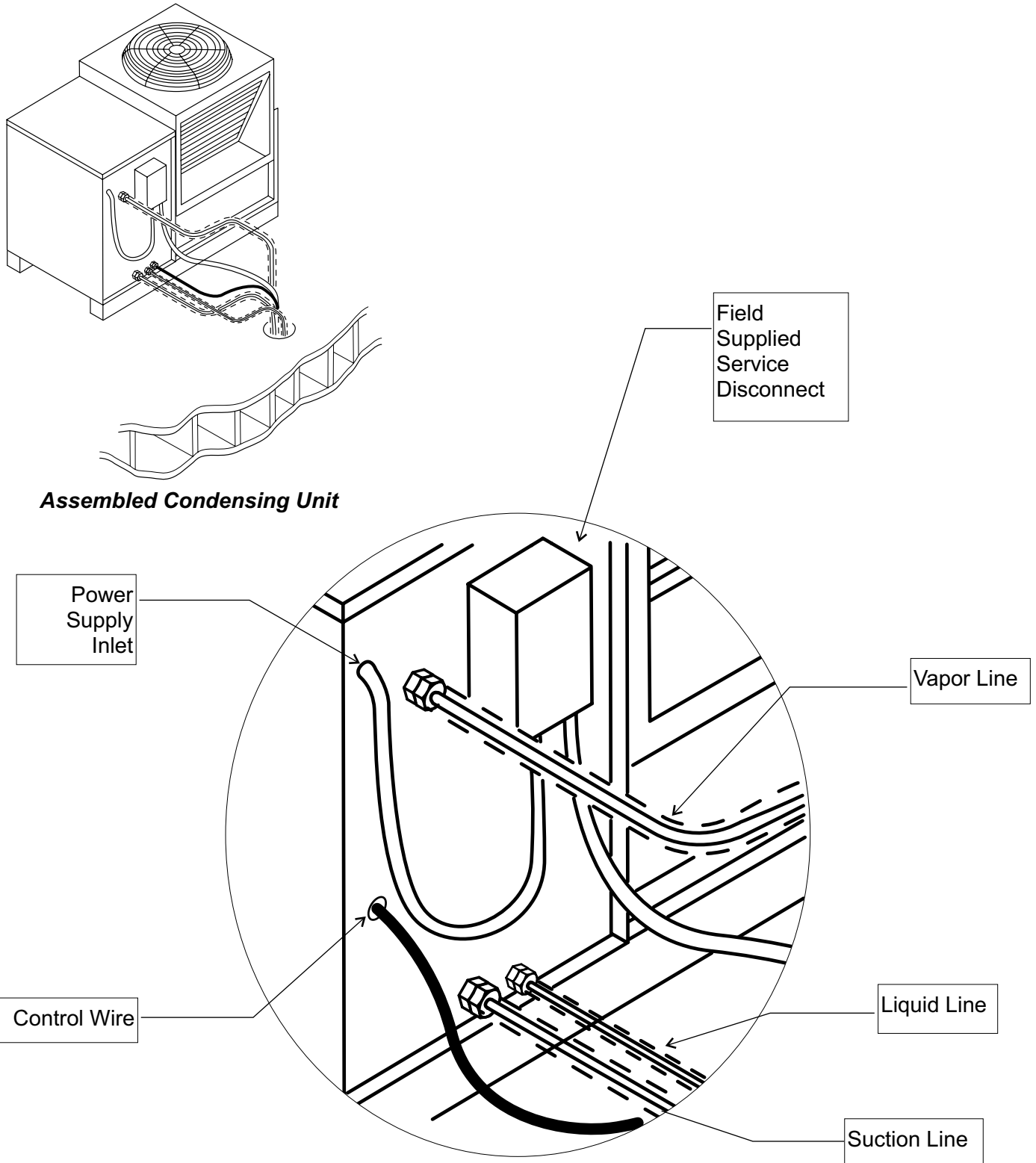
Note: The system charge is contained in the receiver tank of the ice machine. Only "holding" charges are present in the "pre-charged" tubing or the condenser.



## Condensing Unit Connections

Connect the suction line, the vapor line and the liquid line to the matching fittings on the CP unit.

See Coupling Connections on the prior page for detailed instructions.



# Eclipse™ 600, 800, 1000

## Final Placement

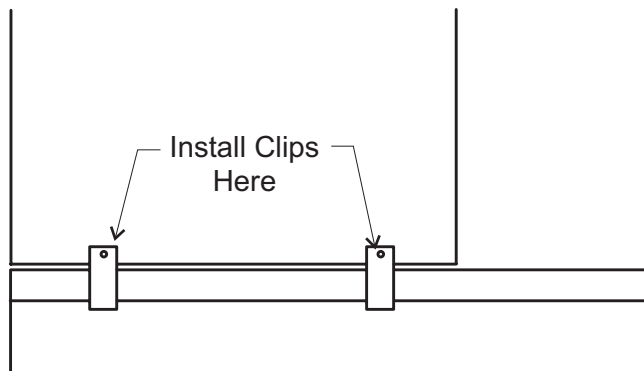
---

After the utilities and refrigeration connections have been made, secure the unit to the dispenser or bin top.

Secure ice making section to dispenser or bin adapter.

Use strap/clips to secure unit:

- When used with Cornelius ABS adapter, install clip on the side of the cabinet. Clip under edge of adapter and secure to ice making section using the screws provided in the hardware bag.



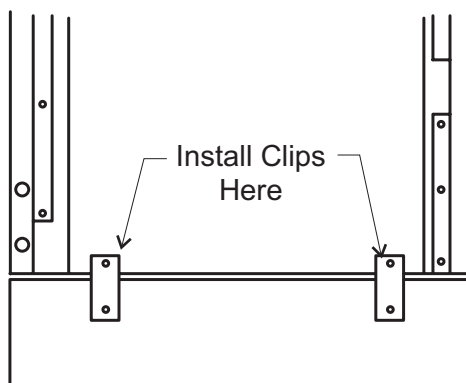
**Left Side View of IMS on Dispenser**

---

Note: If one side will be against a wall, do not use a clip on that side. One clip is sufficient to secure the unit.

---

- For use on bin adapter, use clip (as a strap) on back.



**Back View, IMS on a Bin**

If the ice maker & bin or dispenser is not yet in its final position gently move it there.

---

Note: The refrigerant lines above the machine must be able to move freely while the machine is being moved into position.

---

## Final Check List Before Initial Start Up

1. Confirm that the ice making section is installed indoors in a controlled environment.
2. Confirm that all packing materials have been removed from all products.
3. Confirm that the ice making section is level.
4. Confirm that all the refrigerant connections have been made and checked for leaks.
5. Confirm that the proper power supply has been turned on to the condensing unit.
6. Confirm that cold, potable water has been supplied to the ice making section and checked for leaks.
7. Confirm that the water supply is adequate.
8. Confirm that there is adequate water pressure and that any water filters have been checked to confirm that the cartridges do not need changing.
9. Confirm that the proper size drain tubing has been installed and properly routed.
10. Confirm that the ice making section has been connected to the proper power supply.
11. Confirm that the interconnecting wire has been routed and connected between the ice making section and the compressor package.

## Controller Operation

The controller has seven indicator lights and four push buttons.

### Indicator Lights

**Bin Full:** On when the bin is full, blinks on and off as ice falls during a harvest cycle.

**Freeze:** On when the unit is in the Freeze cycle. Blinks when a freeze cycle is pending.

**Harvest:** On when the unit is in the Harvest cycle.

**Clean:** Blinks when the unit is in the first part of a Clean cycle, on steady when switched to the second part.

**Off:** On when the unit has been switched off, blinks when the unit is preparing to shut off.

**Water Diagnostic:** On when the controller has identified a problem with the water system. Flashes a code to specify what area may be the problem.

**Refrigeration Diagnostic:** On when the controller has identified a problem with the refrigeration system. Flashes a code to specify what area may be the problem.

### Push Buttons

**Freeze:** Push and Release to start the unit

**Harvest:** Push and Release to start a manual harvest of ice.

**Clean:** Push and Release to start the first part of the cleaning process. Push and release again to start the second part of the cleaning process.

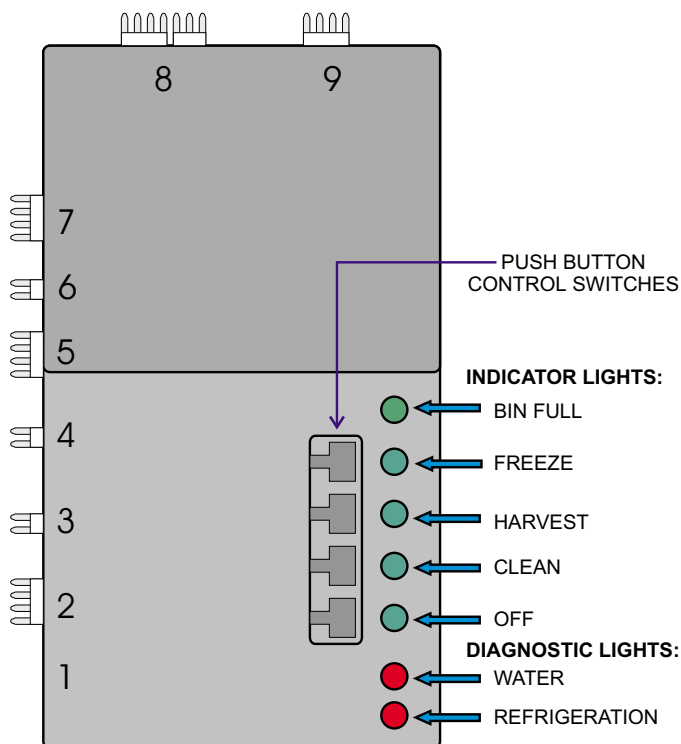
**Off:** Push and Release to shut the machine off at the end of the next harvest cycle. Push and Hold for three seconds to stop the machine. Push and Hold again to go into the Purge Adjustment or Error Recall mode.

### Cycle Definitions:

**Freeze:** The refrigeration system is operating to remove heat from the evaporators. The compressor, fan motor, and water pump are on.

**Harvest:** The refrigeration system and water system are operating to harvest the ice and rinse the reservoir. The compressor is on for the full cycle, the pump is off and then on, the purge valve is open and then closed, the inlet water valve is closed, opens and recloses. The vapor and condenser by-pass valves are open during the entire harvest cycle.

**Clean:** The inlet water valve opens to fill the reservoir. The water pump starts. The Clean indicator light is switched On. A manually initiated rinse flushes the system.



**Controller Lights and Push Buttons**

# Eclipse™ 600, 800, 1000

## Initial Start Up

---

### Pre Start

A soak-out period of four hours is optional for this system. If desired, powering the compressor unit for four hours prior to start up allows the crankcase heater to warm up the oil in the compressor.

### Start Up

1. Connect power to the condensing unit and move its toggle switch to Run or On.
2. Open the water supply valve.
3. Connect or reconnect power to the ice making section.
4. Observe the lights on the controller:
  - All flash on as the power supply is reconnected.
  - The two red lights blink for 20 seconds while some green lights are on. CME810: bin full and harvest. CME686: bin full, harvest and clean.

---

Note: If the light pattern does NOT match – do not start the machine. Install a replacement controller set to the correct program.

---

- The red lights and harvest lights go out.
- The Off light turns on.
- The Bin Full light will be on for a few seconds.

At this point the machine is ready for start up.

### 5. Push and Release the Freeze button to start the machine.

- The Freeze light will begin to blink.
- The Purge valve will open for a few seconds and then close.
- The Inlet water valve will open and fill the reservoir with water.
- The Water pump will begin to circulate water over the evaporators.

When the reservoir is full, the Freeze light will stop blinking and the controller will close a circuit to the compressor contactor to start the first freeze cycle.

---

Note: Because the condensing unit is external to the ice making section, no visible signs of operation will be noticeable until the water begins to cool and frost forms on the evaporator tubing.

---

6. Go to the condensing unit and confirm that the compressor and fan motor are operating. Warm air will be discharged from the condenser.

After a few minutes ice will begin to form on the evaporators. When enough ice has formed to nearly empty the water reservoir, the controller will refill the reservoir. The next time the water level drops that far, the ice is ready for release and the Controller will initiate a Harvest cycle.

- The Freeze light goes out and the Harvest light switches on.
- The vapor inlet valve in the ice making section opens.
- In the CP unit, the condenser by-pass valve opens and the liquid inlet valve closes
- The water pump stops.
- The purge valve opens.

Refrigerant vapor flows into the evaporators where it condenses, discharging its latent heat.

The evaporators warm up and melt the bond between the ice cube surface and the evaporator cells.

After about 20 seconds the water pump re-starts to purge water out of the reservoir.

After a few more seconds the purge valve closes and the inlet water valve opens for a few seconds to add some water to the reservoir. The water pump then circulates this water over the evaporators, and ice begins to fall.

As the ice falls, it passes through two infrared light beams. These beams, when interrupted, signal to the Controller that ice is harvesting. The interruptions are shown by the blinking of the Bin Full light.

The first Harvest cycle continues for about 5 minutes. The controller will use the ice release time measured during this time to compute the next harvest cycle.

At the end of the Harvest cycle the ice machine will switch back into a Freeze cycle.

The inlet water valve will open to re-fill the reservoir with water, and the cycle repeats.

---

Note: Machines are shipped from the factory with the purge level set to accommodate average water conditions. To achieve optimal machine performance, set the purge level to the minimum setting. See the next page.

---

7. Attach the front panel to the ice making section.

## Purge Adjustment

---

Note: While the amount of water purge is adjustable, only those installations with a water supply known to be excellent (very low TDS) should adjust to the minimum setting. See below for purge adjustment instructions.

---

### How to Adjust the Amount of Water Purge

Adjustment is done by use of the control buttons on the AutoIQ Controller. Examine the next section to become familiar with the AutoIQ Controller before beginning.

1. If the machine is on, push and hold the OFF button for more than 3 seconds, then release it. This switches the machine Off.
2. Push and hold the OFF button for more than 3 seconds (just until all lights flash on) then release it. Do not hold it in it too long.
3. Examine the green lights. They should have all flashed once, then certain ones will have turned on to indicate which purge level the machine is set at.

There are 5 levels of purge available:

- 1. **Maximum Purge** is when All 5 lights are ON. Use for extreme water conditions.
- 2. **Heavy Purge** is when these 4 lights are ON: Freeze, Harvest, Clean, Off. Use for severe water conditions.
- 3. **Standard Purge** (factory setting) is when these 3 lights are ON: Harvest, Clean, Off. Use for moderate to severe water conditions.
- 4. **Moderate Purge** is when these 2 lights are ON: Clean, Off. This is for typical water conditions.
- 5. **Minimum Purge** is when this light is ON: Off. For excellent water conditions.

Adjust by pushing and releasing the Freeze button. Pushing and releasing the Freeze button increases the purge one level up to the maximum, then it goes to the minimum.

4. The machine will automatically restart after 60 seconds of no switch inputs, or restart the machine by pushing in and holding the Off button for more than 3 seconds, then releasing it. The unit will then be Off. From there the machine may be placed in a freeze cycle by pushing and releasing the Freeze button.

### Adjustments

**Cube Size:** Cube size is fixed and cannot be adjusted.

#### Thermostatic Expansion Valve:

The TXVs are not adjustable, do not attempt to adjust any of them.

#### If there was a problem during Initial Start Up:

If an error light came on, check the following.

1. Water error.

A water error could have been determined by the AutoIQ Controller if the inlet water valve does not fill the reservoir, or if the water pump does not start and lower the water level.

2. Refrigeration error.

A refrigeration error could have been determined by the AutoIQ Controller if the water temperature did **not** drop during the freeze cycle. The controller will next check the compressor discharge temperature, If the discharge temperature is too low, the refrigerant error light will be switched on, and the machine will Shut Down.

**Note: Reset and restart the machine by pushing and releasing the Off push button switch, and then pushing and releasing the freeze push button switch.**

# Eclipse™ 600, 800, 1000

## System Operation:

---

This section is intended for the technician. Understanding it is not necessary for the normal operation and maintenance of this ice making system.

### Major Components:

#### Ice making section sub-system:

- Controller,
- Ice Sensors,
- Water Level Sensor,
- Transformer,
- Evaporators,
- Expansion Valves,
- Check Valves,
- Vapor Inlet Valve,
- Water Pump,
- Inlet Water Valve
- Purge Valve.

#### Compressor Package sub-system:

- Compressor,
- Contactor,
- Condenser Bypass Valve,
- Liquid Inlet Valve,
- Receiver,
- Accumulator,
- CPR Valve,
- Headmaster.

#### Condenser sub-system:

- Coils
- Fan Motor

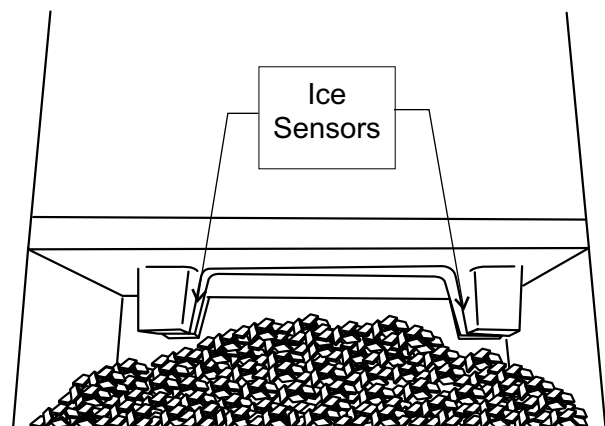
The controller receives input from the water level sensor, ice sensor and temperature sensor. It then actuates various loads in the ice making section and in the condensing unit to control ice making. It also responds to push button input and displays cycle and diagnostic indicators.

**Freeze:** At the ice making sub system, the controller fills the water reservoir and starts the pump and compressor to make ice. The vapor inlet valve is closed. Water circulates over the evaporators until it begins to freeze to the evaporators. As ice builds up the water level in the reservoir falls until it reaches a point where the water level sensor indicates to the controller that the water level is low. At that point, about half-way through the freeze cycle, the controller opens the water valve to refill the reservoir. The second time the water level drops in the freeze cycle indicates to the controller that the freeze cycle is complete.

In the condensing unit sub-system (compressor package and condenser) the compressor is on, the condenser by-pass valve is closed, the fan motor is rotating the fan blade.

**Harvest:** At the ice making sub system, the controller shuts off the pump, opens the vapor inlet valve, opens the purge valve. The controller also controls items in the condensing unit, where the condenser by pass valve is opened. After a set time the water pump restarts and shortly after that the purge valve closes. The inlet water valve opens to add water to the reservoir.

Ice releases and falls into the bin or dispenser.



**Normal Bin Full**

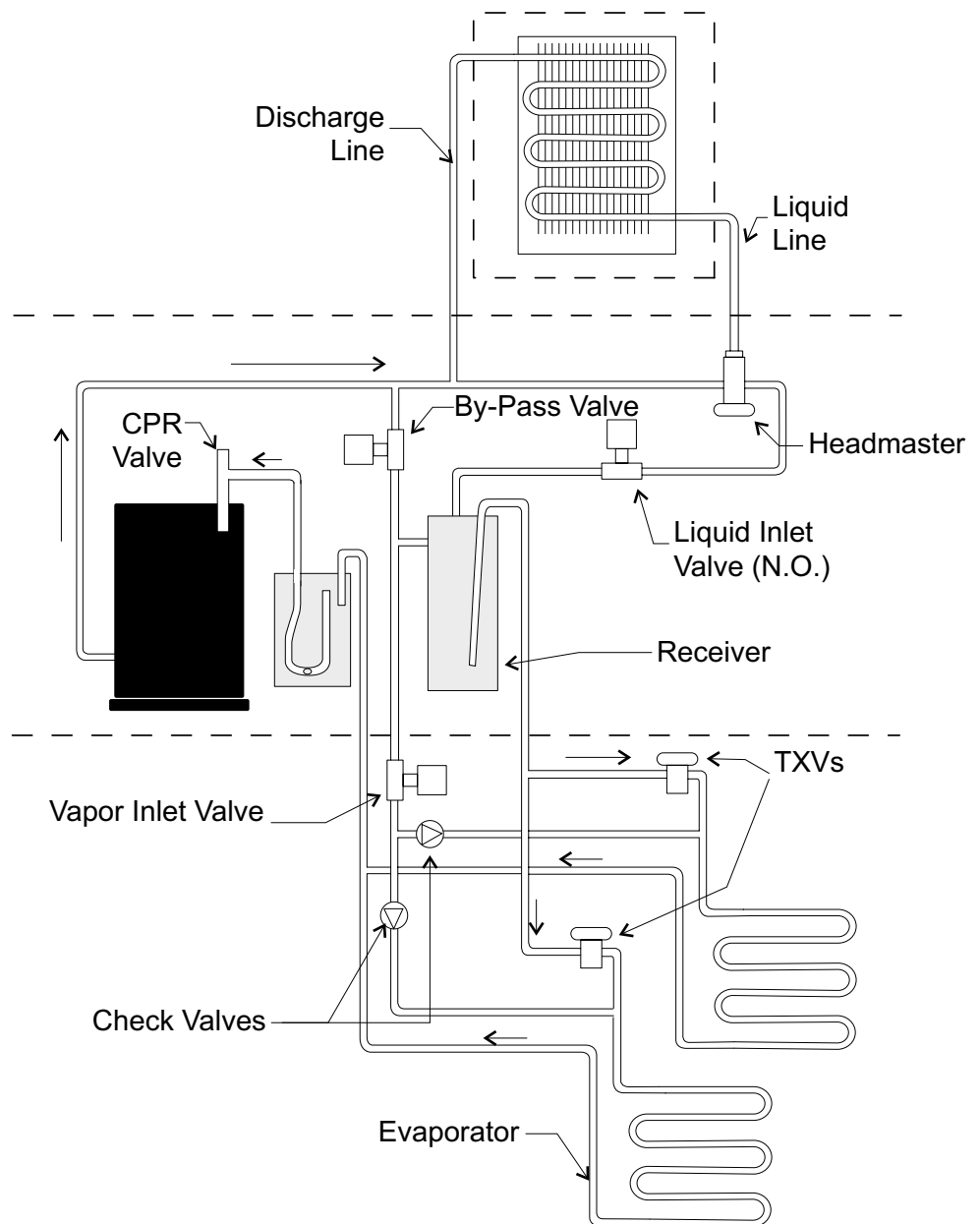
## Refrigeration Details:

The compressor provides the force that circulates refrigerant in the refrigeration system. During freeze, when the vapor inlet and condenser by pass valves are closed, discharge gas flows from the compressor into the condenser, where its heat is discharged into the air stream. Liquid refrigerant flows out of the condenser and through the normally open liquid inlet valve on its way to the receiver inlet. Under low ambient/low pressure conditions, the headmaster valve closes the liquid outlet of the condenser and opens a bypass route to direct refrigerant gas to the receiver inlet until discharge pressure builds back up to the headmaster's set point.

From the receiver liquid outlet, liquid refrigerant flows into the liquid line and into the ice making section. At the ice making section, the refrigerant flows into the expansion valves where a pressure change takes place. The liquid refrigerant moves from the expansion valves into a low-pressure area (the evaporators) where it can rapidly evaporate and absorb heat. Heat is absorbed from the copper evaporator tubing, attached copper, tin, plastic and the water flowing over the evaporators. Check valves prevent the evaporating refrigerant from flowing into the wrong evaporator. The low-pressure refrigerant gas then flows into the suction line, which carries it back to the condensing unit, where it enters the accumulator. In the accumulator most of any liquid carried with the suction gas is separated and only vapor flows out of the accumulator through the CPR valve and to the compressor where the cycle continues.

During harvest discharge gas flows through the open condenser by pass valve into the vapor line. Power is also applied to the coil of the liquid inlet valve, closing it. At the same time, in the ice making section, the vapor inlet valve opens. Discharge gas, combined with some vapor from the receiver's outlet,

then flows through the vapor line to the evaporator inlets. The gas-vapor combination, when entering the relatively cold evaporators, condenses, transferring latent heat to the evaporators, which warms them. Ice releases and falls into the bin. The low-pressure refrigerant then flows out of the evaporators and into the suction line. The suction line brings the refrigerant, now consisting of a vapor-liquid combination, to the accumulator. From the accumulator the vapor-liquid combination (now more vapor than liquid) goes to the Crankcase Pressure Regulator valve which limits the amount of dome pressure in the compressor, where the cycle continues.



# Eclipse™ 600, 800, 1000

## Technicians Only: Freeze Cycle Sequence of Operation

This sequence begins with a restart after the unit has shut off with the bin full. Ice has been consumed, causing the ice sensors to become un-blocked.

1. The controller switches off the bin full light (four minutes has to have passed since the machine shut off on bin full for the machine to restart) and switches on the Freeze light.
2. The purge valve is opened and the pump started.
3. After the purge valve closes the inlet water valve opens and fills the reservoir.

Note: If the water reservoir does not fill within the time period expected the controller will shut off and blink the water diagnostic light. It will re-try to fill the reservoir in 20 minutes. If successful the freeze cycle will continue.

4. The compressor and fan motor start and the freezing process begins.

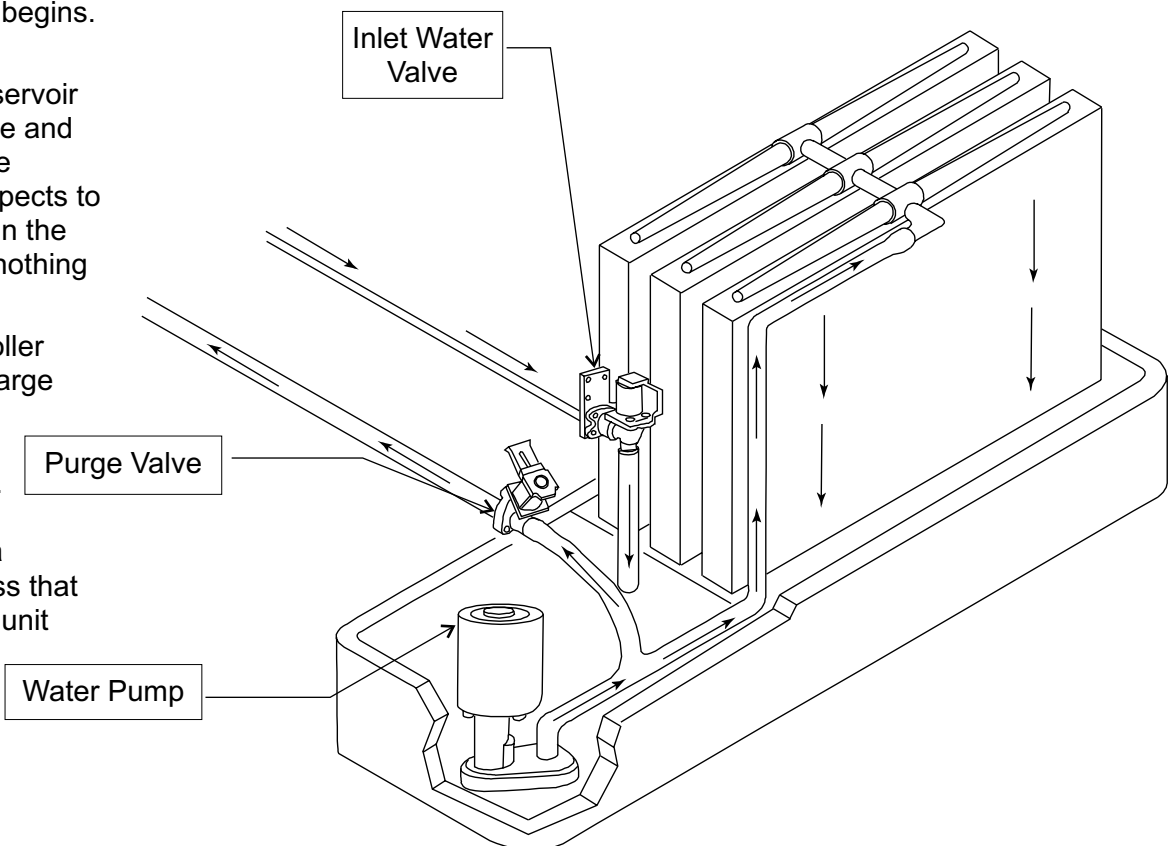
5. The controller measures the reservoir water temperature and compares it to the temperature it expects to find at that point in the cycle. If normal, nothing happens.

If high, the controller checks the discharge temperature. If that is normal, nothing happens. If that is low, the controller starts a diagnostic process that could lead to the unit shutting off, as the refrigeration system may not be operable.

6. Assuming that the system is working normally, the controller will shut the water pump off for a few seconds when the reservoir's water temperature reaches a pre-set point.

7. As the machine makes ice the water level in the reservoir falls. When it reaches the point where the float stem blocks the upper infrared beam in the water level sensor the controller opens the inlet water valve to refill the reservoir. The water valve stays on until the float stem rises to block the lower beam in the water level sensor.

8. The freezing process continues until the float stem blocks the upper beam for the second time. That signals to the controller that the freezing process is complete.



**Water Schematic**



## Technicians Only: Harvest Cycle Sequence of Operation

---

At the **beginning of harvest**, the controller:

- Shuts off the Freeze light
- Turns on the Harvest light
- Opens the vapor inlet valve
- Opens the condenser bypass valve
- Closes the normally open liquid inlet valve
- Shuts off the water pump
- Opens the purge valve
- Begins to time the harvest cycle

When the ice falls off the evaporators, it passes through the two infrared light beams emitted by the ice sensors in the ice chute. The falling ice breaks the beams, signaling to the controller that ice is being released.

**During harvest** the controller:

- Blinks the Bin Full light at every light beam interruption to indicate that ice is being sensed
- Changes the time measured from the beginning of harvest to the time the last cube was sensed.

### First Harvest Cycle

The first harvest cycle after a restart continues for a default period of about 5 minutes. The next cycle's harvest time will be determined from the actual time used to release ice in this cycle, and will likely be much shorter.

### Slow Ice Release

If ice releases slowly the controller will extend the harvest cycle until it ice quits falling within the normal harvest time or until it reaches the pre-set maximum time. The controller will then return the unit to the freeze cycle.

### No Ice Released

If no ice is sensed harvest continues until it reaches its pre-set maximum, when the controller switches the unit back into freeze.

### Shut Down - Maximum Harvest Time

If a maximum harvest time is reached again during the next harvest cycle, the controller will shut the system down and blink the refrigeration diagnostic light. It will automatically attempt a restart in 50 minutes. If the maximum harvest time is reached again in the next two consecutive cycles, the controller will repeat the shut down and restart process. If the system still requires a maximum length harvest cycle the controller will shut the unit down and must be manually reset.

### Purge Valve

The purge valve is open for a fixed time period. At the beginning of that time the pump is off, but after the time determined by the Purge setting in the controller, the pump starts and forces water out of the reservoir. The pump stays on after the purge valve closes. The inlet water valve opens for a few seconds to add water (but not fill) the reservoir.

### End of Cycle

At the end of the harvest cycle the controller switches the Harvest light off and the Freeze light on. If the ice sensors had been blocked continuously for more than 20 seconds the controller senses this as Bin Full and would then shut the machine off and turn on the Bin Full light.

At the beginning of the Freeze cycle the inlet water valve is turned on to fill the reservoir and the cycle repeats.

# Eclipse™ 600, 800, 1000

## Power and Water Interruptions

---

Short (less than one second) power interruptions cause no change in operation.

Longer interruptions initiate a restart process:

- Freeze light blinks on controller
- Compressor is off
- Vapor inlet valve opens
- Liquid inlet valve closes
- Purge valve opens
- Pump starts, empties the reservoir
- Purge valve closes
- Inlet water valve fills reservoir
- The Compressor starts
- Vapor inlet valve closes
- Liquid inlet valve opens
- Freeze cycle proceeds for 30 seconds
- Harvest cycle initiated, continues for 4 minutes
- Normal freeze cycle starts

### Water Interruptions

The water level sensor checks for water fill whenever the water inlet valve is activated. If the water level sensor does not record a full reservoir within the pre-set time, the controller

- shuts the unit off
- blinks the water diagnostic light two times and repeats

After 20 minutes the inlet water valve is powered again and if the water level sensor is satisfied, the unit is restarted if the controller still doesn't sense a full reservoir it keeps the unit off for another 20 minutes and then restarts the water fill process.

The process of retrying water fill will continue until a full reservoir is sensed. There is no time limit.

## Sanitation and Cleaning

It is the User's responsibility to keep the ice machine and ice storage bin in a sanitary condition.

Without human intervention, sanitation will not be maintained. Ice machines also require occasional cleaning of their water systems with a specifically designed chemical. This chemical dissolves mineral build up that forms during the ice making process.

Sanitize the ice storage bin as frequently as local health codes require, and every time the ice machine is cleaned and sanitized.

**The ice machine's water system should be cleaned and sanitized a minimum of twice per year.**

### In Place Cleaning of the Ice Machine Water System:

1. Remove all ice from the bin or dispenser.
2. Remove the front panel.
3. Push and release the Harvest button (this releases any ice that may be on the evaporators and warms them up).
4. Wait for the machine to finish the Harvest cycle (the machine will stop).
5. Remove the evaporator cover, the splash shields, the cube deflector, the cascading shield and the ice sensors. Place the cascading shield and the cube deflector in a separate container. Place the ice sensors in the reservoir, but be sure that the ends of the connecting wires are not in the water.
6. Push and release the Clean button. The Clean indicator light will be blinking, and the pump will restart.
7. Pour 24 ounces of Scotsman Ice Machine Cleaner into the reservoir water. Return the evaporator cover to its normal position.
8. Mix a solution of 8 ounces of Scotsman ice machine cleaner and 1 gallon of warm (95-115° F.) water. Use the solution to scrub the cascading shield and cube deflector in the separate container.

9. After the ice machine cleaner has circulated for 10 minutes, push and release the Clean button. This starts the rinsing process. The Clean indicator light will be ON. Note: The rinse process flushes any residual cleaner out of the ice machine's water system.

10. Continue the rinsing process for 20 minutes, then push the off button to switch the machine off.

11. Go to the next step to sanitize the machine or go to step 19 to finish the cleaning process.

12. Mix 2 gallons of Sanitizer solution. Follow local codes for Sanitizer.

Note: A possible sanitizing solution may be made by mixing 1 ounce of liquid household bleach with 2 gallons of warm (95-115° F.) potable water.

13. Push and release the Clean button again.

14. Pour 24 ounces of Sanitizer solution into the reservoir water.

15. After the solution has circulated for 10 minutes push and release the Clean button. This starts the rinse process. Sanitize the ice storage bin while waiting.

16. Continue the rinsing process for 20 minutes, then push the off button to switch the machine off.

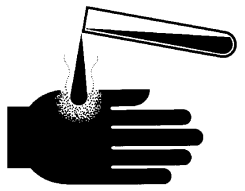
17. Remove the evaporator cover and spray or wash all interior surfaces of the freezing compartment including the evaporator cover with sanitizer solution.

18. Thoroughly immerse the cascading shield and cube deflector in the sanitizing solution.

19. Return the ice sensors, cascading shield and cube deflector to their original positions.

20. Return the evaporator cover to its original position. Push and release the Freeze button.

21. Return the front panel to its normal position and secure it to the machine with the original screws.

<b>▲WARNING</b>	<b>Scotsman Ice Machine Cleaner contains acids.</b> Acids may cause burns. If concentrated cleaner comes in contact with skin, flush with water. If swallowed, do NOT induce vomiting. Give large amounts of water or Milk. Call Physician immediately. Keep out of the reach of children.
	

# Eclipse™ 600, 800, 1000

## Other Maintenance

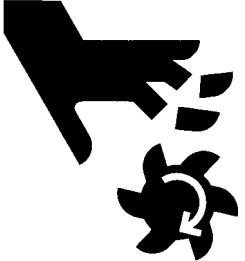
---

The remote condenser coil must be cleaned occasionally to keep the system operating at high efficiency.

- Remove any large debris from the outside of the coil.
- Vacuum accumulated dust.
- Wash out the coils with water.

Caution: Do NOT use excessive water pressure as that will bend the fins.

- Straighten any damaged fins with a fin comb.
- If the coils have become coated with grease, a coil cleaner will have to be used to wash the coils.

<b>⚠ WARNING</b>	<b>Moving Parts Hazard</b> <b>Rotating fan blade can cause cuts</b>
	Disconnect electrical power before removing condenser top or fan guard.

Disconnect power to the condensing unit and remove the condenser top.

- Inspect the fan blade to be sure it is not cracked and is clean.

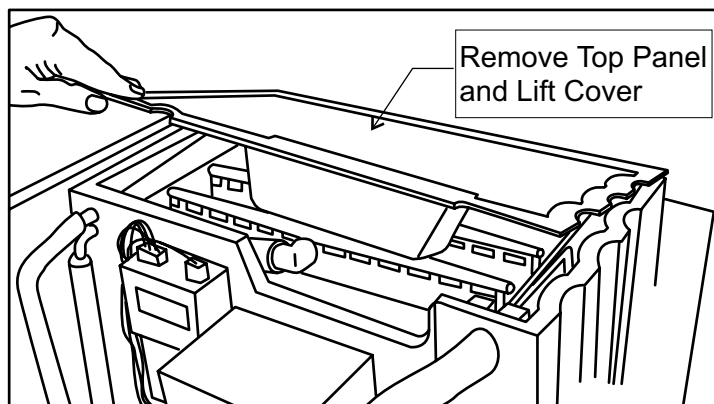
Return the condenser top to its original position and reconnect the power supply.

## Tight Installation Access

Some installations will have very small access to the sides and top of the ice making section. In those cases, alternative methods are available for front access to certain components.

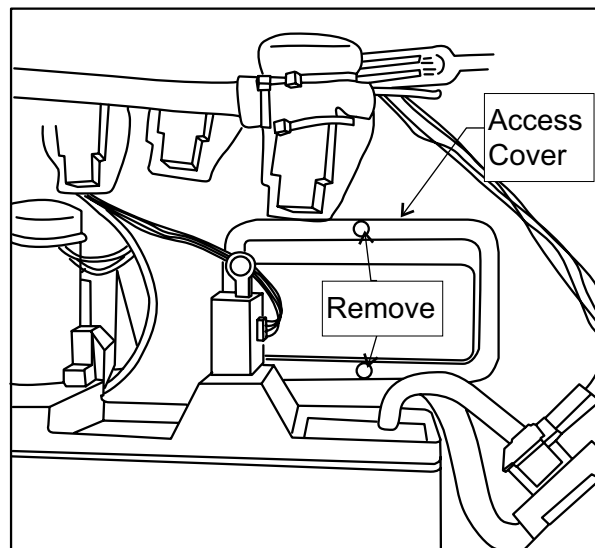
### Top Panel

Removing the top panel allows access over the top of the freezing compartment wall through the notch at the top. The water distributors may be accessed through this area.



### Inspection Cover

Removing the inspection cover at the lower end of the freezing compartment allows access to the cascading shield, water trough (when used), ice sensors and cube deflector.

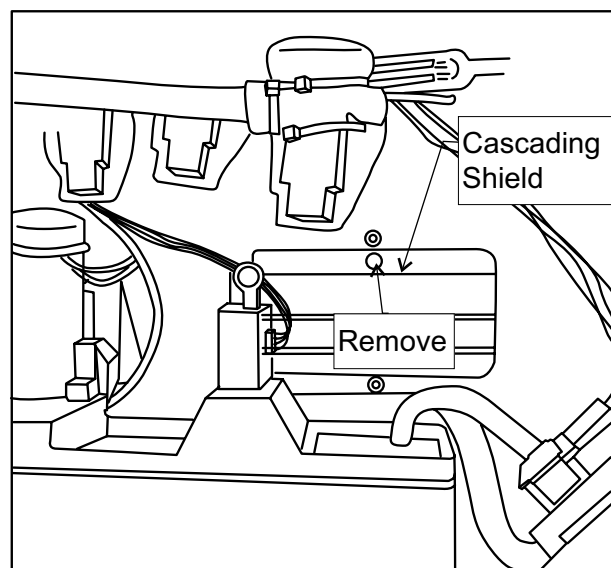


To remove:

Remove the front panel.

Remove the two thumb screws and the cover.

Remove the single thumb screw holding the cascading shield to the cabinet.



The cascading shield may be moved out of the way to inspect/adjust/clean the water trough and ice sensors.

# Eclipse™ 600, 800, 1000

## Water Distributors

---

It may become necessary to remove the water distributors from the top of the evaporator and clean (de-mineralize) them outside of the ice machine.

1. Remove front panel.
2. Push and release the off button.
3. Remove the evaporator cover.
4. Remove the upper splash panel.
5. Remove the top panel.
6. Lift the center of the distributor assembly to release them from the top of the evaporators. Repeat for each plate.
7. Examine the top of the evaporators. The water distribution channels must be free of mineral build up. If build up is present, scrub the channels with Scotsman Ice Machine Cleaner and a plastic bristle brush.
8. Examine the water distributors. Although they are made of a material that is resistant to mineral build up, some may be present, especially in the discharge holes. Soak or scrub the distributors in a solution of Scotsman Ice Machine Cleaner and warm, potable water.
9. Return the water distributors to their normal position.
10. Snap the two distributors onto the top of each evaporator.
11. Repeat for all evaporators.
12. Reconnect the water hose.
13. Push and release the clean button to begin the cleaning process, after the reservoir refills push and release the button again to start the rinse process. After 20 minutes push and release the Off button.
14. Push and release the Freeze button.
15. Return all covers and panels to their original positions.

### Inlet Water Valve Screen

The inlet water valve has a screen on its inlet side to keep debris from flowing into the valve. In some cases, this screen may become clogged or restricted by debris build up. Check for the proper water flow.

Flow rate is 1.33 GPM

1. Remove front panel.
2. Obtain a measuring cup and a watch.
3. Push and release the Harvest button.
4. When the water valve opens, it will fill a 16 ounce cup in about 3 seconds. Be prepared to push the Off button. If the water does not flow in fast enough, the water inlet valve or other water device is restricted.

To Check the Inlet Water Valve Screen

1. Disconnect the electrical power.
2. Shut off the water supply.
3. Remove the front panel.
4. Unplug the electrical connection from the inlet water valve.
5. Remove the screws holding the water valve to the cabinet.
6. Remove the outlet tube from the inlet water valve.
7. Rotate the inlet water valve from the inlet fitting and remove valve from machine.
8. Examine the inlet screen. If dirty, brush the dirt from the screen.

---

Note: Screen is not replaceable, and may only be removed by taking off the covering bracket. The bracket is part of the valve and must be water tight. Removal is not recommended.

---

9. Reverse to reassemble.

## Ice Sensors

The ice sensors, located in holders in the base of the ice making section, must be clean and free of mineral scale to provide the controller with accurate information.

To clean them they must be removed from their installed positions.

1. Remove front panel.
2. Push and release the Harvest button to release ice. When ice quits falling, push and hold the Off button until the machine stops.
3. If side access is available, remove both side panels.
4. Remove evaporator cover.
5. Remove lower splash panel.
6. Remove inspection cover.
7. Remove cascading shield.
8. Locate sensor mounting holes, located at the lower left and right corners of the freezing compartment.
9. Push the sensors in at their mounting holes.
10. Reach in the freezing compartment and pull the sensors out through the inspection hole until they are at a comfortable distance from the cabinet.
11. Each sensor contains a removable tray. One tray contains the infrared emitters, the other the infrared receiver. Each lens must be clean and free of scale for proper operation. The trays may be removed from their holders for better access.
12. Push the tray in with a finger or thumb until the tray flips out of its socket.



13. Wipe the lens clean with a soft cloth dipped in an ice machine cleaner solution (3 parts water to 1 part ice machine cleaner). Do NOT use any abrasives on the lenses.



14. Return the tray to its normal position. Be sure it snaps into place. The gray wire must be secured under the black plastic clip.



15. Return each ice sensor to its normal position. Be sure no wires are pinched in the mounting sockets.
16. Remount the cascading shield.
17. Return the inspection cover to its normal position.
18. Return the lower splash panel to its normal position.
18. Return the evaporator cover to its normal position.
19. Return the side panels to their normal positions.
20. Push and release the Freeze button.
21. Return the front panel to its normal position.

### Ice Sensor Diagnostics

Diagnostics assume that the control system is working but may not be able to sense cubes. Its purpose is to determine which component may be at fault - the controller or the ice sensors.

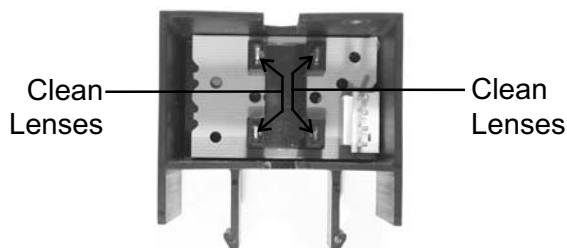
Unplug thermostat (if used) and check bin full light, if off place an object between the ice sensors, after 5 seconds the Bin Full light will be glowing steadily, if not check operation of sensors by unplugging #4. Bin Full light will go on after 5 seconds, If not, replace controller. If the light does go on, replace ice sensor set.

# Eclipse™ 600, 800, 1000

## Water Level Sensor Maintenance

In most cases the water level sensor will not require maintenance. However, if the area where the ice making section is located is dusty or there is a high concentration of minerals in the water, the infrared emitter and detector lenses inside the sensor may need to be wiped off.

1. Remove front panel.
2. Push and hold the Off button until the machine stops.
3. Unplug sensor wire harness from sensor.
4. Remove two screws holding dust cover to sensor.
5. Wipe the four lenses with a cotton swap soaked in potable water.



**Water Level Sensor, Dust Cover Removed**

6. Return the dust cover to its original position, secure with the original screws.
7. Reconnect wire harness.
8. Push and release the Freeze button.
9. Return the front panel to its normal position.

### Water Level Sensor Diagnosis

Tools Needed: Digital voltmeter that can read DC

Note: Ambient light can affect this test. Shade the sensor if needed.

1. Unplug water sensor harness from controller (connection #2).
2. Confirm that the power to the machine is ON and that there is at least one light on the board that is glowing. If not, check the transformer.
3. Set the voltmeter to DC and use a scale low enough to measure less than 40 Volts.
4. Measure the voltage between the top and the bottom pins on the controller at connection #2 (the bottom is ground or negative).

● **Harness unplugged - .5 to 2 VDC**

If it is much less than that, there is something wrong with either the power supply to the controller or the controller itself. If the voltage measures correctly proceed to the next step.

5. Reconnect the harness. Be SURE it is on properly and has a good connection. To confirm, unplug the harness from the water sensor and redo step #4 at the end of the harness. Then plug the harness back onto the sensor.

### Harness Connected Voltage (DC)

6. At the controller, measure the voltage between the top and bottom pins on connection #2. This should be between the ranges in the table below. If it outside this range there is a problem in the sensor and it should be changed out. If it is within this range, proceed to the next step.

7. Place negative voltmeter probe on the bottom terminal (yellow wire). Place the other on the one just above it (terminate freeze sender - white wire). Move the float stem/stick up and down and note the voltage changes. There should be a significant change between when it is blocked to when it is not blocked. If there is **NO change**, the sensor may be dirty or has failed. Remove the dust cover from the sensor to clean it.

Note: The sensor must be properly reassembled. When looking at the terminals of the sensor, they must be in the lower right corner. If they are in the upper left remove the sensor's dust cover and reverse the board. Later models have an UP arrow on the right side of the circuit board.

	Yellow (bottom)
White - Blocked	about 5 VDC
White - Unblocked	less than when blocked

8. With the voltmeter probe still on the bottom terminal (connection #2), place the other probe on the second pin from the top (sump full sender - red wire). Move the float stick up & down, changes in voltage should be the same as in step 7.

	Yellow (bottom)
Red - Blocked	about 5 VDC
Red - Unblocked	less than when blocked

9. If all voltages check out, there is nothing wrong with the sensor or the voltage it receives from the controller.



## Service Diagnosis

Problem or Symptom	Possible Cause	Probable Correction
No ice	No power to ice making section	Restore power
	No power to condensing unit	Restore power
	No lights on controller	Check transformer
	Unit manually switched off	Push and release the Freeze button, ask user why it was shut off
	Power to both sections, controller reset, but condensing unit does not operate	Interconnecting control wire disconnected, reconnect it
		Low or high pressure cut outs open, check system pressures
	No water to ice making section, controller blinking water light twice and repeating	Restore water supply, check water filters, reset controller
		Check inlet water valve operation
		Check water level sensor operation, including harness between sensor and controller*
	Ice making section has exceeded maximum freeze time and controller has shut down the system	Condenser coils may need cleaning
		Check condenser fan blade and motor
		Check for excessive air intake temperatures at condenser coil
		Check compressor contactor
		Check compressor and starting components
		Check water pump
		Check purge valve for leak through
	Ice making section has exceeded maximum harvest time and shut down the system	Check vapor inlet valve for leak though
		Check ice making section for lime scale build up, clean as needed
		Check condenser by pass valve
		Check vapor inlet valve*
		Check headmaster
		Check ice sensors for cube sensing*
		Check inlet water valve for leak through
Bin full light is on but bin is not full	Check for obstruction in ice delivery chute	
	Check ice sensors*	
	Check optional thermostat*	

\* Additional diagnostics for this component are on the following pages

# Eclipse™ 600, 800, 1000

## Service Diagnosis

Problem or Symptom	Possible Cause	Probable Correction
No ice	No refrigeration, unit shut down and refrigeration diagnostic light is on without blinking	Check compressor, refrigerant charge, and liquid inlet valve. Note that if liquid inlet valve is not open, compressor will pump down and suction pressure will be very low.
No water to ice making section	Water level sensor or harness not working properly	Replace harness or sensor
Slow ice release during harvest	Cubes are too large	Check inlet water valve for leak through
		Check float for sticking
	Condenser by-pass valve does not open	Check coil of valve
		Check power to valve during harvest
No ice sensed during harvest	Ice sensing system failure	Check sensing system by pouring about 10 ice cubes through the ice outlet port. The bin full light should blink, indicating that it has sensed the ice. If not, check the sensors.
		Check the ice sensors. Place an object between the ice sensors, after 5 seconds the Bin Full light will be glowing steadily, if not check operation of sensors by unplugging #4. Bin Full light will go on after 5 seconds, If not, replace controller. If the light does go on, replace ice sensor set.
	No ice released to bin	Ice outlet blocked - check for obstruction
	No ice released, vapor inlet valve does not open	Check coil for continuity, if open replace coil
		Check for 24 volts to coil during harvest, if non, check at controller
		Check low side pressure, if pressure does not rise during harvest, and valve is electrically OK, replace vapor inlet valve

## Service Diagnosis

Problem or Symptom	Possible Cause	Probable Correction	
Low capacity	Dirty condenser	Clean condenser	
	Air temperature intake to condenser very high	Re-orient condenser to avoid hot air intake	
	Water temperature intake to ice making section very high	Check for hot water supply to ice machine due to mal-functioning or non-existent hot water check valve at dishwashing sink	
	False bin full - bin full light is ON and the bin is not full		If using optional thermostat, unplug from terminal 7 and check controller. Bin full light must go out within 4 minutes or ice sensors need checking.
			Check ice sensors for proper position
			Check ice sensors for scale build up
	Storage bin or dispenser not holding ice properly	Check drains for water flow from ice machine (separate to correct) or restriction	
	High volume of drinks dispensed, cold plate melting ice	Suggest pre-cooler for water supply to cold plate	
	Vapor inlet valve leaks through slightly during the freeze cycle	Check valve body for similar temperatures on inlet and outlet, the outlet should be colder and frost develops on the tubes to the evaporators	
Cascading shield missing/out of position and water is cascading out of the reservoir	Install or re-secure cascading shield. Check water distributors for proper attachment.		
Exceeding maximum freeze time, compressor unit trips on high discharge temp	Check condenser bypass valve		
Poor ice formation - very cloudy and misshapen	Dirty water system	Clean the water distributors and the tops of the evaporators to remove built up mineral scale	
	Low refrigerant charge.	Add several pounds of refrigerant to check. If low on charge, locate leak. Recover refrigerant, repair leak, replace drier, evacuate to 300 microns and weigh in the nameplate charge.	
Whistling noise at CP unit during harvest	By pass and liquid inlet valve coils not getting power	Check harness	

# Eclipse™ 600, 800, 1000

## Controller Features & Last Error Recall

---

### Last Error/Diagnostic Light Recall

To recall the last error on the blue housing CM<sup>3</sup> controller:

1. Switch the unit OFF by holding the OFF button for longer than 3 seconds.
2. Hold the Off button down again until the Purge Setting indicators (Green Lights) are on.
3. Push and release the Harvest button.

The last error code stored in the controller will be displayed and the purge setting will disappear.

Push the Harvest button again and the second-to-last error code will be displayed. The bin full light will also be on to signal that this is the second-to-last code.

Pushing the Harvest button again will display the last error code again. Only two error codes are available for display.

If no error code exists, no code will be displayed and there will be NO LIGHTS showing.

To return from the display of the last error, do nothing for 60 seconds or push and hold the Off button.

After returning from the display of the last error (Off light glows), the machine may be returned to the ice making process by pushing and releasing the Freeze button.

### Controller Diagnostic Codes

If a Diagnostic Light	Water Light	Refrigeration Light
Blinks once and repeats	Water pump will not start	Very long ice harvest
Blinks twice and repeats	Lack of water fill	No harvest of ice
Blinks three times and repeats	not used	High discharge temperature
Is ON all the time	Water valve leaking thru rapidly	Maximum freeze time
Both ON all the time	Check for thermistor set unplugged or failed	

### Program ID

The blue housing controller will display a code at power up that indicates which ice machine model it has been programmed for.

The code is based on the green lights that are displayed.

1. At power up all lights flash ON once to indicate that the controller has passed its internal self-checks.

2. Immediately after that the program code will be displayed for 20 seconds or until a button is pushed.

Note: The **proper** program code for this machine is glowing

- CME810: **Bin Full** and **Harvest** lights.

- CME686: **Bin Full**, **Harvest** and **Clean** lights

Do NOT operate this machine if the wrong code is displayed.

3. If no button is pushed after 20 seconds the machine will display the Off light and is ready for switch inputs (push and release Freeze to start making ice).

Note: The Red Diagnostic Lights will be FLASHING while the program ID is displayed.

## Operational Characteristics 600 lb system

---

Cycle Times @ Condenser Temp/Cabinet Temp/Water Temp in degrees F

	70/70/50	90/90/70	120/110/100
Freeze	16 to 20 minutes	20 to 23 minutes	35 to 37 minutes
Harvest	3 minutes	2 ½ minutes	1 ½ minutes

System Pressures @ Condenser Temp/Cabinet Temp/Water Temp in degrees F.

	70/70/50	90/90/70	120/110/100
Suction at Ice Making Section, end of Freeze	34 to 40 PSIG	36 to 42 PSIG	42 to 48 PSIG
Suction at Ice Making Section, Harvest	80 to 90 PSIG	90 to 110 PSIG	130 to 150 PSIG
Discharge at Condensing Unit: Freeze	230 to 250 PSIG	240 to 260 PSIG	340 to 360 PSIG

Headmaster maintains a minimum discharge pressure during freeze of:

- 217 PSIG + 25, -15 PSIG

CPR Valve Setting: 55 - 60 PSIG.

---

Note: CPR allows a maximum low side pressure at the CP unit's compressor. Maximum only occurs during harvest.

---

Refrigerant Charge

- 232 oz

Compressor Amps

- Single Phase - 5
- Three Phase - 3.5

Batch Weight

- 8 to 10 lb

Discharge Pressure Cut Out Switch

- Cuts Out at: 450 PSIG
- Resets at: 350 PSIG

Compressor: RS70C1E

Expansion Valves: 3

# Eclipse™ 600, 800, 1000

## Operational Characteristics **800** lb system

Cycle Times @ Condenser Temp/Cabinet Temp/Water Temp in degrees F.

	70/70/50	90/90/70	120/110/100
Freeze	14 to 16 minutes	16 to 19 minutes	19 to 22 minutes
Harvest	2 ½ minutes	2 ½ minutes	1 minute

System Pressures @ Condenser Temp/Cabinet Temp/Water Temp in degrees F

	70/70/50	90/90/70	120/110/100
Suction at Ice Making Section, end of Freeze	26 to 32 PSIG	30 to 36 PSIG	36 to 42 PSIG
Suction at Ice Making Section, Harvest - Peak	90 to 110 PSIG	120 to 140 PSIG	130 to 150 PSIG
Discharge at Condensing Unit: Freeze - 5 minutes in	220 to 240 PSIG	240 to 260 PSIG	355 to 375 PSIG

Headmaster maintains a minimum discharge pressure during freeze of:

- 217 PSIG + 25, -15 PSIG
- CPR Valve Setting: 55 - 60 PSIG.

Note: CPR allows a maximum low side pressure at the CP unit's compressor. Maximum only occurs during harvest.

Typical Low Side System Pressure Changes at Ice Making Section:

- **Freeze:** Pulls down rapidly to 80 PSIG, then slowly to 35 to 38 PSIG
- **Harvest:** Rapid increase to >120, PSIG, drops slightly to 110 - 120 PSIG

Refrigerant Charge

- 232 oz

Compressor Amps

- Single Phase - 9
- Three Phase - 6

Batch Weight: 8 to 10 lb

Discharge Pressure Cut Out Switch

- Cuts Out at: 450 PSIG
- Resets at: 350 PSIG

Compressor: CS14K68

Expansion Valves: 3

## Operational Characteristics 1000 lb system

Cycle Times @ Condenser Temp/Cabinet Temp/Water Temp in degrees F

	70/70/50	90/90/70	120/110/100
Freeze	12 to 13 minutes	13 to 14 minutes	18 to 19 minutes
Harvest	3 minutes	2 minutes	1 ½ minutes

System Pressures @ Condenser Temp/Cabinet Temp/Water Temp in degrees F

	70/70/50	90/90/70	120/110/100
Suction at Ice Making Section, end of Freeze	24 to 30 PSIG	26 to 32 PSIG	32 to 36PSIG
Suction at Ice Making Section, Harvest	90 to 110 PSIG	120 to 140 PSIG	160 to 190 PSIG
Discharge at Condensing Unit: Freeze - 5 minutes	220 to 240	230 to 250 PSIG	350 to 370 PSIG

Headmaster maintains a minimum discharge pressure during freeze of:

- 217 PSIG + 25, -15 PSIG
- CPR Valve Setting: 55 - 60 PSIG.

Note: CPR allows a maximum low side pressure at the CP unit's compressor. Maximum only occurs during harvest.

Typical Low Side System Pressure Changes at Ice Making Section:

- **Freeze:** Pulls down rapidly to 60 PSIG, then slowly to 28 to 30 PSIG
- **Harvest:** Rapid increase to >120, PSIG, drops slightly to 110 - 120 PSIG

Refrigerant Charge

- 272 oz

Compressor Amps

- Single Phase 11
- Three Phase 7

Batch Weight: 8 to 10 lb

Discharge Pressure Cut Out Switch

- Cuts Out at: 450 PSIG
- Resets at: 350 PSIG

Compressor: CS18K68

Expansion Valves: 3

# Eclipse™ 600, 800, 1000

## Refrigeration System Service

---

### Recovery

Recovery must be done from the condensing unit, but requires the ice machine to be shut down.

1. At the ice making section, remove the front panel.
2. Push and release the Harvest button. When the machine shuts off, recover the refrigerant.
3. Remove compressor package covers.
4. Attach recovery system to low side (compressor process port valve)
5. If the recovery system can recover liquid, attach recovery system to high side (receiver liquid line out valve)

Operate recovery system to remove refrigerant from the system. No other points of attachment or solenoid activation are required.

### Vapor Inlet Valve - Replacement of the valve body.

---

Note: The coil and internal components are available to repair the valve without replacing the valve body.

---

1. Recover refrigerant as outlined above.
2. Unplug ice making section from power supply.
3. Disconnect wire harness from valve coil.
4. Disconnect wire harnesses from controller.
5. Disconnect wire harnesses and ground wire from inlet water valve and purge valve.
6. Cut tie wraps securing wire water valve harnesses to other wires.
7. Remove four screws holding control box and controller mounting bracket to ice making section. Gently re-position assembly away from vapor inlet valve. Support with wire.
8. Cut tie wraps holding vapor inlet valve to bracket and move valve away from plastic housing.

---

Note: When using torch, cover plastic behind valve with a small piece of sheet metal to protect it while brazing.

---

9. Cut out or heat joints with torch to melt the braze joints and remove valve body.
10. Reverse to reassemble.

11. Replace liquid line drier in CP unit.
12. Evacuation system to 300 microns.
13. Weigh in the nameplate charge.
14. Start unit and check operation.
15. Return all covers to their normal positions and secure with the original screws.



# CME810

Symptom: Ice jams up

Likely Cause: End Deflector Out of Position



The End Deflector must be in place as shown here. The End Deflector routes the ice towards the cube chute outlet AND holds the cube deflector so it does not move.

If the thumb screw is missing the End Deflector can be out of place or it can be put on wrong.



**Correct**, End Deflector positioned to route ice to chute and to hold cube deflector in place.



**Incorrect**

Edge of End Deflector caught on sump wall

# SERVICE BULLETIN

---

## **Subject: CME810 Float Stem Color Change**

The color of part number **02-3777-04** has been changed from light blue to **black**.

The infrared light of the water level sensor must be blocked by the plastic of the float stem to properly signal level of the water to the controller. Light blue has been found to be inconsistent in blocking that light, causing irregular cube size and water fills.

There is an existing black float stem, used on SCE275. It is part number 02-3383-03. They must not be mixed up. The part numbers are molded onto the side of the part and they are physically different.

- CME810 float stem has a loop top.
- SCE275 float stem has a flat top.