



N1322 - 1300lb Nugget Ice Machine

Prodigy Plus® Nugget Ice Machine

Superior performance with every cup.

Now the soft, chewable nugget ice that customers love is available with more innovative technology than ever before. With next-generation diagnostics like AutoAlert™ indicator lights on the new Scotsman Prodigy Plus® nugget ice machines, operators can help ensure superior performance while enjoying maximum efficiency — every day. And with features like advanced ice level control, a small operational footprint and easy-access service from the front panel, Prodigy Plus® nugget ice machines are the smart choice for today's busy food-service environments.



The Prodigy Plus® difference.

- The Original Chewable Ice®
- AutoAlert™ indicator lights for better visibility
- Operational footprint among the industry's smallest
- Industry-exclusive QR code instantly connects users to service information and warranty history
- Front-located air filter for more efficient operation
- Self-aligning front panel for easy access to key components
- Smart-Board™ advanced feature module available for additional diagnostic capabilities
- Optional Vari-Smart™ ice level control allows operators to customize ice levels
- Antimicrobial protection guards internal surfaces between cleanings
- A full range of water- and energy-saving features

N1322 - 1300lb Nugget Ice Machine



24 Hour Volume Production

Air Cooled		Remote Cooled		Water Cooled	
70°F/21°C	Air	90°F/32°C	70°F/21°C	70°F/21°C	Air
50°F/10°C	Water	70°F/21°C	50°F/10°C	50°F/10°C	Water
1314/597		940/427	1329/602	1354/614	
lb/kg		lb/kg	lb/kg	lb/kg	lb/kg



Modular Bin & Dispenser Options



N1322 side by side on B948S

Model Number*	Dimensions W" x D" x H"	AHRI Certified	Finish	Ship Weight
		Bin Capacity lb/kg		lb/kg
B948S	48 x 34 x 44**	700/319	Metallic	220/100
BH1100BB-A	48 x 34 x 50**	860/390	SS w/ GBB†	280/127
BH1100SS-A	48 x 34 x 50**	860/390	Stainless Steel	280/127
BH1300BB-A	60 x 34 x 50**	1100/499	SS w/ GBB†	310/140
BH1300SS-A	60 x 34 x 50**	1100/499	Stainless Steel	310/140
BH1600BB-A	60 x 34 x 62**	1375/624	SS w/ GBB†	370/168
BH1600SS-A	60 x 34 x 62**	1375/624	Stainless Steel	370/168

*Contact Scotsman for bin top requirements. **Add 6" Height for bin legs.
† Stainless steel with galvanized back & bottom.



Nugget Ice



The Original Chewable Ice™! Soft ice ideal for fountain beverages and blended fruit drinks.



Certification



Warranty

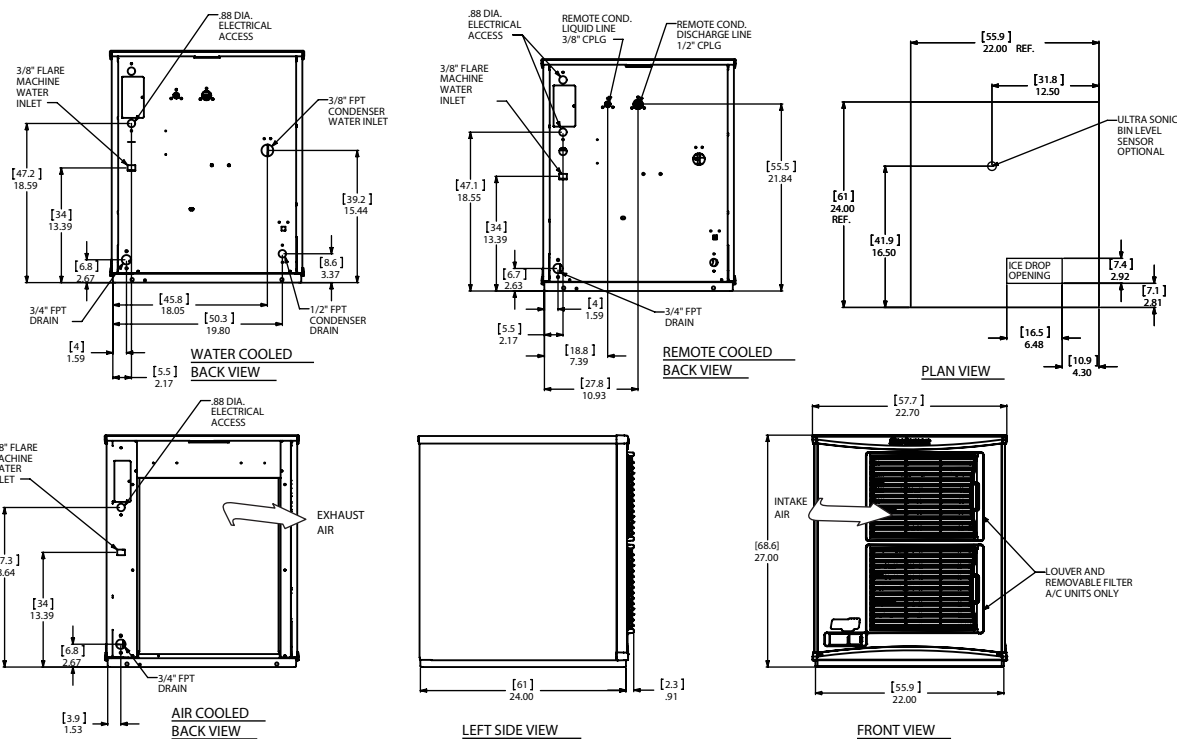
- 3 years parts and labor on all components.
- 5 years parts on the compressor.
- Warranty valid in North, South & Central America for commercial installations.
- Contact factory for warranty in other regions.
- Residential Applications: 1 year parts and labor



N1322 - 1300lb Nugget Ice Machine

Prodigy Plus® Nugget Ice Machine

N1322 - 1300lb Nugget Ice Machine



Specifications

Model Number	Condenser Unit	Basic Electrical Volts/Hz/Phase	Max. Fuse Size or HACR Circuit Breaker (amps)	Circuit Wires	Min. Circuit Ampacity	Energy Consumption kWh/100 lb (45.4 kg) 90°F(32°C)/70°F(21°C)	Water Usage Gallons/100 lb (liters/45.4 kg)		Energy Star®
							Potable 90°F(32°C)/70°F(21°C)	Condenser 78/295.7	
N1322A-32	Air	208-230/60/1	20	2	14.1	3.85	12.0/45.5	-	✓
N1322R-32	Remote	208-230/60/1	20	2	13.9	3.78	12.0/45.5	-	
N1322W-32	Water	208-230/60/1	20	2	12.9	3.17	12.0/45.5	78/295.7	
N1322W-3	Water	208-230/60/3	15	3	9.2	3.17	12.0/45.5	78/295.7	



All Models

Dimensions (W x D x H):

Unit:	Individual 22.9" x 24" x 27" (58.2 x 61.0 x 68.6 cm)
	Side by Side 44" x 24" x 27" (111.8 x 61.0 x 68.6 cm)
Shipping Carton:	25.5" x 27.5" x 32.5" (64.8 x 69.9 x 82.6 cm)

Shipping Weight: 225 lb / 102 kg BTUs per hour: 16,000

Refrigerant: R-404A



Accessories

Model Number	Description
KVS	Vari-Smart™ Ice Level Control - Program ice bin levels to match ice needs.
KSBU	Smart-Board™ Advanced Control - Use additional operational data for fast diagnosis.
KSBU-N	Smart-Board™ Advanced Control with Network - Network capable.
ERC311-32A	Remote condenser for N1322R, 208-230V/60/1
BRTE10	Line set, 10ft, brazing required.
BRTE25	Line set, 25ft, brazing required.
BRTE40	Line set, 40ft, brazing required.
BRTE75	Line set, 75ft, brazing required.
KPAS	Prodigy Advanced Sustainability Kit - Includes KVS and KSBU - N

Scotsman recommends all ice machines have water filtration. See Scotsman water filter specification sheet for details.



Operating Requirements

	Minimum	Maximum
Air Temperatures	50°F (10°C)	100°F (38°C)
Water Temperatures	40°F (4.4°C)	100°F (38°C)
Remote Cond. Temps	-20°F (-29°C)	120°F (49°C)
Water Pressures	20 PSIG (1.4 bar)	80 PSIG (5.5 bar)
Electrical Voltage	-5%	+10%

Specifications and design are subject to change without notice.

• 101 Corporate Woods Parkway, Vernon Hills, IL 60061 •

• 1-800-SCOTSMAN • Fax: 847-913-9844 • www.scotsman-ice.com • customer.relations@scotsman-ice.com •

© 2017 Scotsman Ice Systems.

Scotsman®

SIS-SS-PP-N1322 10-17